

Flow switch HR2VK2



- Optimized for use with oil
- Viscosity stabilised
- Solid construction

Characteristics

Mechanical flow switch for fluid media, with spring-supported piston and magnetic triggering of a reed switch. Robust construction in brass or stainless steel.

Technical data

Switch	reed switch		
Nominal width	DN 32 / 40 / 50		
Process connection	female thread G 1 ¹ / ₄ ..G 2 (further process connections available on request)		
Switching range	10..100 l/min	for details see table "Ranges"	
Pressure loss	~ 4..7 bar at Q _{max}		
Q_{max.}	up to 160 l/min		
Tolerance	±10 % of full scale value at constant viscosity		
Viscosity-stability	mean deviation ±7 %, max. 18 % (20-330 mm ² /s) of full scale value		
Pressure resistance	PS 200 bar		
Media temperature	-20..+120 °C		
Ambient temperature	-20..+70 °C		
Media	oil		
Wiring	No. 0.378 normally open (n.o.) not used 		
Switching voltage	max. 230 V AC		
Switching current	max. 0.5 A		
Switch performance	max. 50 VA		
Protection class	2 - Safety insulation		
Ingress protection	IP 67		
Electrical connection	for round plug connector M12x1, 4-pole		

Materials medium-contact	<i>Brass construction:</i> CW614N nickelled, CW614N, 1.4305, 1.4310, hard ferrite	<i>Stainless steel construction:</i> 1.4571, 1.4310, hard ferrite
Non-medium-contact materials	CW614N nickelled, PC, 1.4301,	
Weight	see table "Dimensions and weights"	
Installation location	Standard: horizontal inwards flow from the left; other installation positions are possible; the installation position affects the switching point and range.	

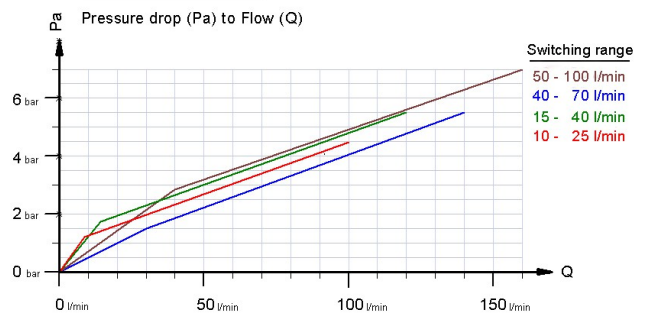
Ranges

For switching ranges, the details in the table correspond to horizontal inwards flow and decreasing flow rate; for display ranges they correspond to horizontal inwards flow and increasing flow rate.

Switching range l/min oil 20-330 mm ² /s	Display range l/min oil 20-330 mm ² /s	Q _{max.} Recom- mended l/min	Pressure loss bar at Q _{max.} oil
10 - 25	10 - 60	100	4
15 - 40	20 - 100	120	5
40 - 70	40 - 120	140	5
50 - 100	50 - 150	160	7

Special ranges are available.

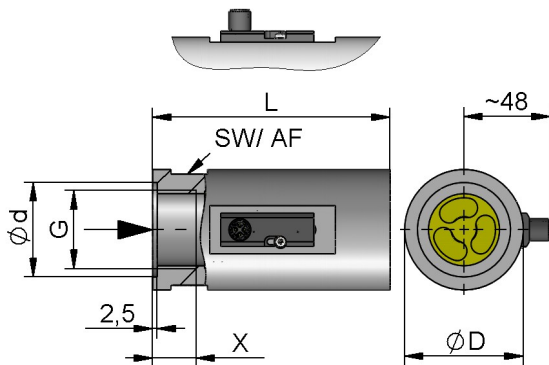
Reference Data:



Switching spaces of the flow switch HR2VK1

Dimensions and weights

DN	G	Types	L	ØD	SW	Ød	X	Weight kg
32	G 1¼	HR2VK2-032GM	130	65	60	51	23	2.6
40	G 1½	HR2VK2-040GM	170					
50	G 2	HR2VK2-050GM	185	80	75	70	26	5.3



additional weights for options

Display O1 / Z1 0.05 kg

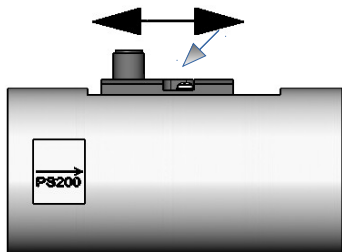
Handling and Operation

Note

- Include straight calming section of 5 x DN in inlet and outlet
- If the media are dirty, install a filter (use magnetic filter for ferritic components).
- It must be ensured that the values given for voltage, current, and power are not exceeded.
- When switched on, a load must be connected in series.
- Under unfavorable pressure conditions, e.g. with a free outlet, there is a risk of cavitation.
- The electrical details apply to ohmic loads. Capacitive, inductive and lamp loads must be operated using a protective circuit.

Adjustment

If it is necessary to adjust the switching value, the switching head can be adjusted lengthways. When the switching value is reached, the switching unit is fixed in place by a fastening bolt.



Ordering code

HR2VK2 1. 2. 3. 4. 5.
 G

1. Display options	
-	no mechanical display
O1-	with measurement display at side O1
Z1-	with frontal measurement display Z1
2. Nominal width	
032	DN 32 - G 1¼
040	DN 40 - G 1½
050	DN 50 - G 2
3. Process connection	
G	female thread
4. Connection material	
M	brass
K	stainless steel
5. Switching range H₂O for horizontal inwards flow	
025	10 - 25 l/min
040	15 - 40 l/min
070	40 - 70 l/min
100	50 - 100 l/min



HR2VK2O1-



HR2VK2Z1-

Options

- Special values
- two to four switching heads

Ordering information

- Specify direction of flow, medium, and switching range.