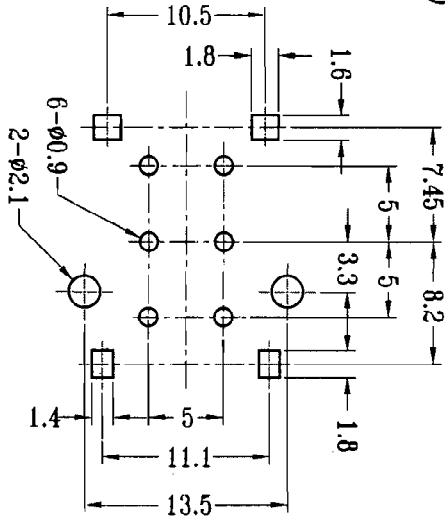
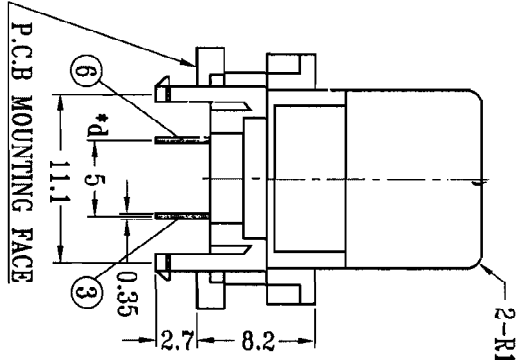
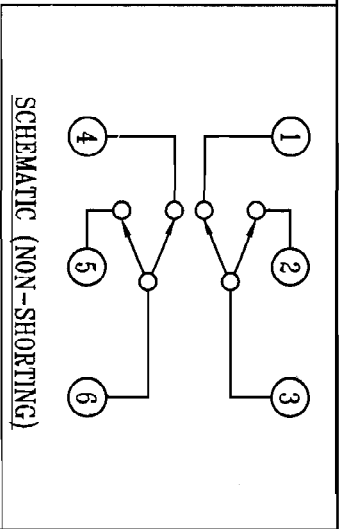


TIMING LAG DIAGRAM

1	3	ON	OFF
2	3	OFF	ON
4	6	ON	OFF
5	6	OFF	ON

17.65 MAX 11MIN(mm)
TRAVEL POSITION(X) (MM)



OPERATING FORCE: 50±20gf

注: *表示关键尺寸(4个).

8	TERMINAL	NYLON/BRASS STRIP	2	BLACK/Ag PLATED	TOLERANCE UNLESS SPECIFIED				
7	CASE	NYLON+F.G	1	BLACK	WITHIN 1.5mm : ±0.1mm				
6	CONTACT CLIP	PBS G5210R-EH	2	Ag CLAD	OVER 1.5mm : ±0.2mm	ISSUE	DATE	DESCRIPTIONS OF REVISION	APPD.
5	SPRING	SUS	1	NATURAL					
4	SLIDER	NYLON+F.G	1	BLACK					
3	COVER	POM	1	BLUE					
2	KNOB	POM	1	WHITE					
1	PARTS	MATERIALS	Q'TY	FINISH	TITLE : HOOK SWITCH MODEL: HS-22102 UNIT : mm SCALE: 2 : 1 DRAWG NO.: TT-DR-HS22102-00 DWN. 陈丽冰 15-Jun-2009 CHK'D 15-Jan-08 APPD. 15-6-07				
WEALTH METAL FACTORY LTD.									