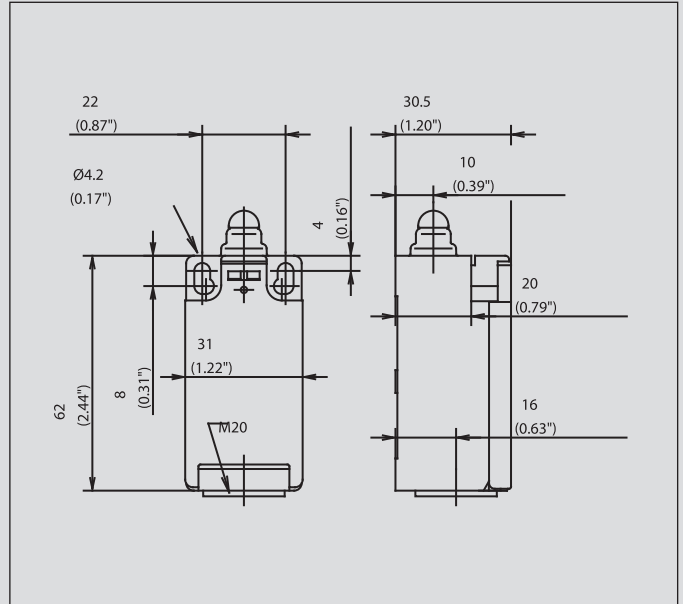


I88



Recommended use

Thanks to its standard dimensions as well as its wide range of contacts and actuators, this switch can be used on safety facilities and for position monitoring in virtually any industrial application.

Product advantages

- Standard switch conforming to DIN EN 50047
- Standard actuator conforming to DIN EN 50047 (see page 16)
- Protection class IP 65 to VDE 0470 T1
- Enclosure and cover PA 6, self-extinguishing (UL-94-V0)
- Actuator can be repositioned by 4 x 90°
- Cable entry M20 x 1.5
- Connection designation conforming to DIN EN 50013

Options

- Available with M12 connector
- AS interface variants available
- Cable entry M16 x 1.5

Design layout

- Slow-action and snap-action contacts
- Versions: 1 NC / 1NO, 2 NC, 2 NO, overlapping contacts
- All NC contacts with ⊖ in the circuit diagram are positively opening contacts
- Type: Zb (galvanically isolated changeover contact)
- Latching function on request

Mounting

- Two M4 screws (distance between centres 22 mm), adjustment with slots
- Two M5 screws for safety applications without additional fixing element (Fig. 1)
- Additionally secured by guide plate for lateral approach forces (Fig. 2 and page 69)
- Front mounting (depending on type, Fig. 3)

Installation advantages

- Snap-on cover can be released with screwdriver
- Cover opening range 135° (cover can also be detached from hinge)
- Cover protects switching element during installation
- Screw connections with self-lifting clamping plates
- Easy-action cover lock (close and press)
- Cover additionally secured with screw

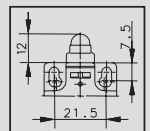


Fig. 1

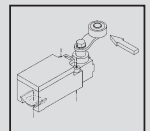


Fig. 2

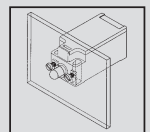


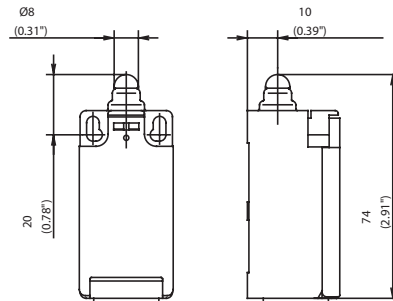
Fig. 3

Technical data

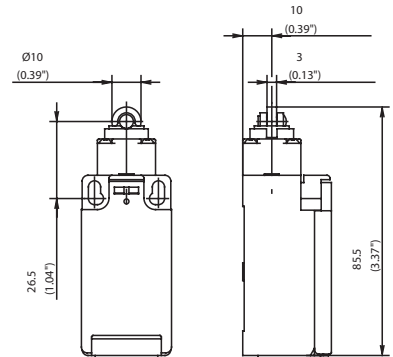
Electrical data	
Rated insulation voltage	U _i max. 250 V AC
Conventional thermal current (up to) ^①	I _{the} 10 A
Rated operating voltage	U _e max. 240 V
Utilisation category (up to) ^①	AC-15, U _e /I _e 240 V/3 A
Short-circuit protection (up to) ^①	Fuse 10 A gL/gG
Protection class	II, Insulated
Mechanical data	
Enclosure material	Thermoplastic, glass fibre-reinforced (UL 94-V0)
Ambient temperature	-30 °C to +80 °C
Mechanical service life (up to) ^①	10 x 10 ⁶ switching cycles
B10d (up to) ^①	20 Mio.
Switching frequency	≤ 100/min.
Type of connection	Screw connections
Conductor cross sections	Single-wire 0.5 – 1.5 mm ² or Stranded wire with ferrule 0.5 – 1.5 mm ²
Cable entry	1 x M20 x 1,5
Standards	
VDE 0660 T100, DIN EN 60947-1, IEC 60947-1	
VDE 0660 T200, DIN EN 60947-5-1, IEC 60947-5-1	

^① Depending on switching system. See Table on Pages 70 – 73.

W (Form B)



RIWK (Form C)



Switching operation

Slow-action

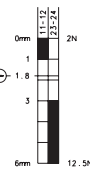
Snap-action

Slow-action

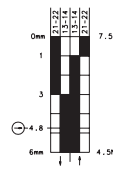
Snap-action

1 NC / 1 NO contact

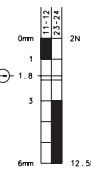
6086103008
I88-U1Z W



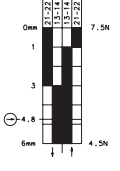
6086153012
I88-SU1Z W



6086117017
I88-U1Z RIWK

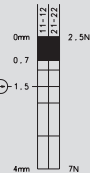


6086167018
I88-SU1Z RIWK



2 NC contacts

6086803013
I88-A2Z W

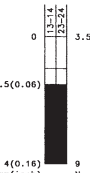


6086817087
I88-A2Z RIWK

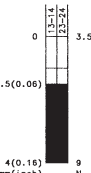


2 NO contacts

6086803014
I88-E2 W

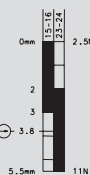


6086817071
I88-E2 RIWK



1 NC / 1 NO contact
Overlapping

6086303011
I88-UV1Z W



Approvals



Replacement actuator: -

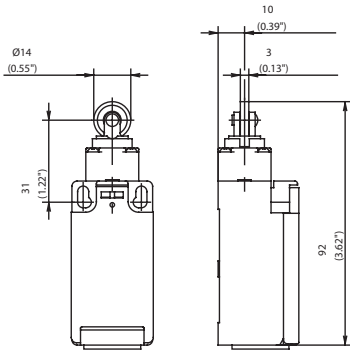
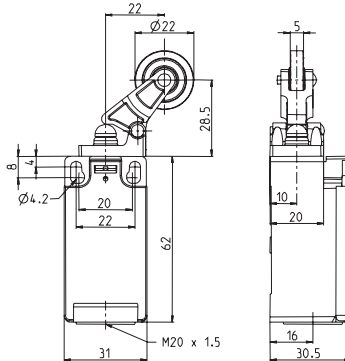
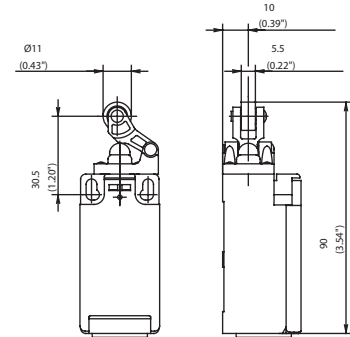
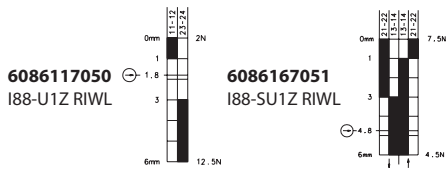
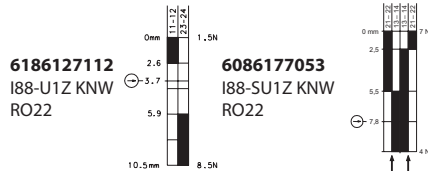
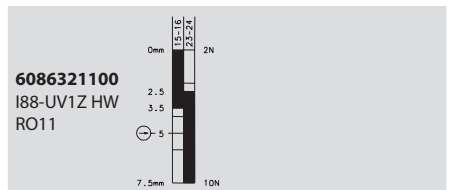
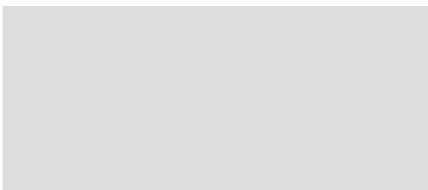
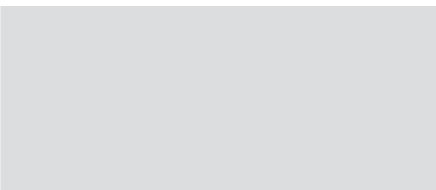
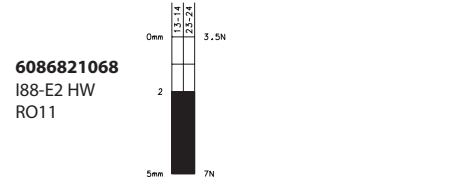
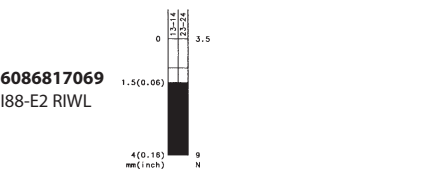
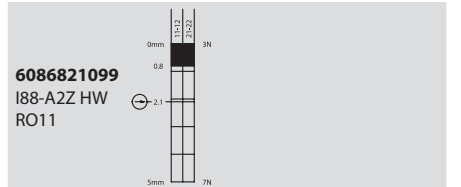
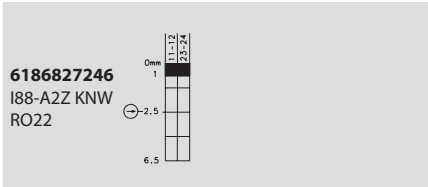
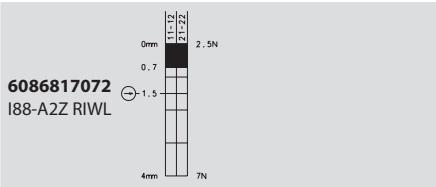
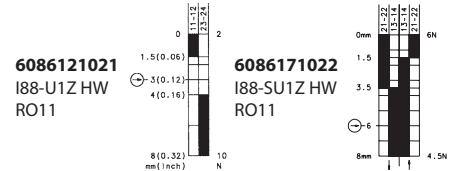
Replacement actuator: 3918161672

Special features / variants
(on request)

- Available with black enclosure
- With latching function and following contacts:
2 NC / 1 NO contact
1 NC / 2 NO contact
- Both with and without overlap

Special features / variants
(on request)

- Available with black enclosure
- With latching function
- With steel roller and following contacts:
2 NC / 1 NO contact
1 NC / 2 NO contact
- Both with overlap

RIWL

KNW RO22

HW RO11 (Form E)

Slow-action
Snap-action

Slow-action
Snap-action

Slow-action
Snap-action

Replacement actuator: 3918161673
Replacement actuator: 3918252223
Replacement actuator: 3918191547
Special features / variants

(on request)

- Available with black enclosure
- With latching function
- Available with different actuating directions
- With steel roller

Special features / variants

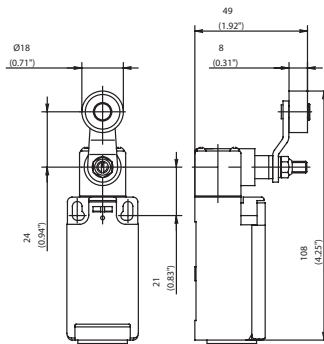
(on request)

Special features / variants

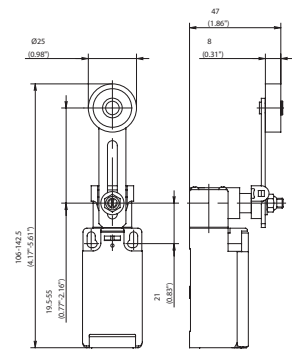
(on request)

- Available with black enclosure
- With steel roller
- Various roller diameters

AH (Form A)



AV



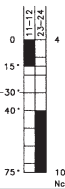
Switching operation

1 NC / 1 NO contact

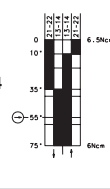
Slow-action

Snap-action

6086135033
I88-U1Z AH



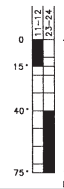
6086185034
I88-SU1Z AH



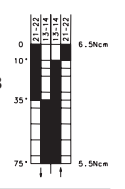
Slow-action

Snap-action

6086136037
I88-U1 AV

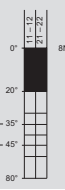


6086186038
I88-SU1 AV

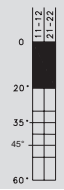


2 NC contacts

6086835059
I88-A2Z AH



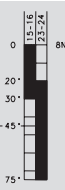
6086836131
I88-A2 AV



2 NO contacts

**1 NC / 1 NO contact
Overlapping**

6186335628
I88-UV1Z AH



Approvals



Replacement actuator: 3918351166

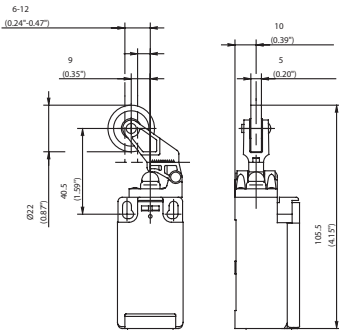
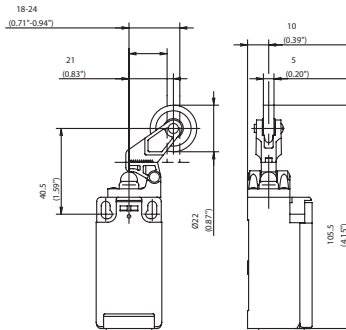
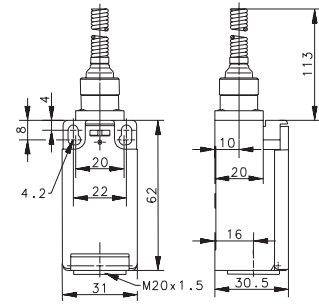
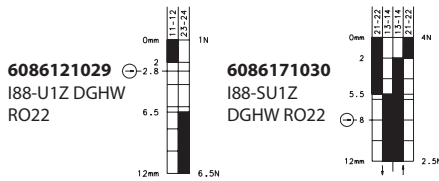
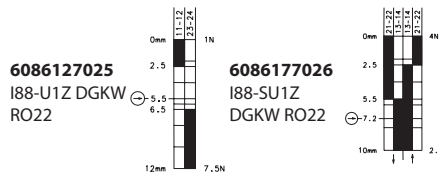
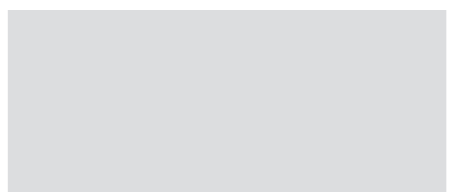
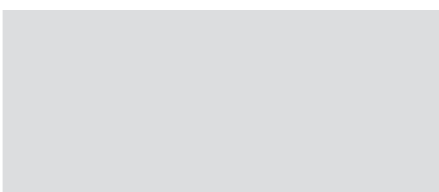
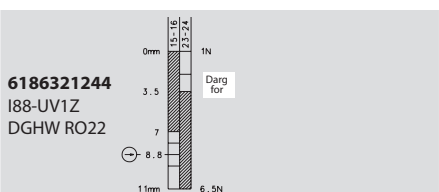
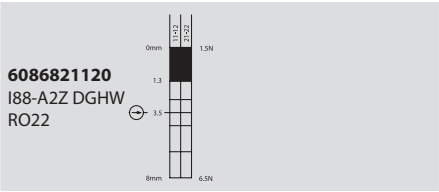
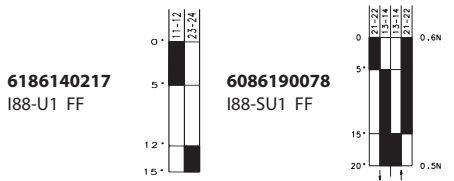
Replacement actuator: 3918360984

Special features / variants
(on request)

- Available with black enclosure
- Available with different actuating directions
- With steel roller
- Various roller diameters
- Cranked or straight lever
- Various lever lengths

Special features / variants
(on request)

- Available with black enclosure
- Various actuating directions
- Various roller diameters
- Cranked or straight lever
- Various lever lengths
- With roller over switch

DGHW RO22

DGKW RO22

FF

Slow-action
Snap-action

Slow-action
Snap-action

Slow-action
Snap-action

Replacement actuator: 3918211529
Replacement actuator: 3918271528
Replacement actuator: 3918401031
Special features / variants

(on request)

- Available with black enclosure
- Available with different actuating directions
- Various roller diameters

Special features / variants

(on request)

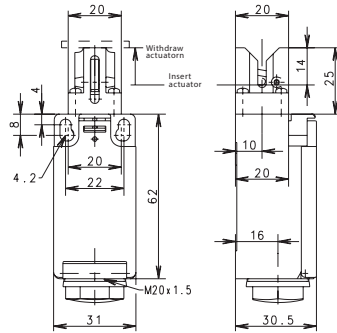
- With latching function
- Various roller diameters and with following contacts:
2 NC / 1 NO contact
1 NC / 2 NO contact
Both with overlap

Special features / variants

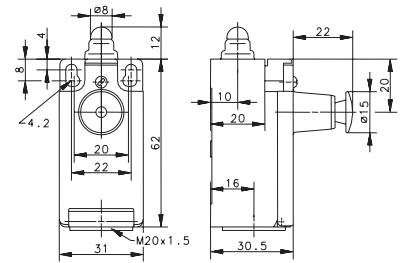
(on request)

- Available with black enclosure
- Various spring lengths
- Different spring versions or spring rod

KS



W RAST



Switching operation

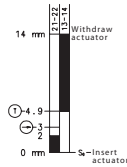
Slow-action

Snap-action

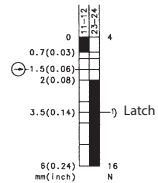
Slow-action

1 NC / 1 NO contact

6116819140
I88-U1Z KS

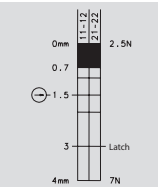


6186103005
I88-U1Z W
RAST



2 NC contacts

6186803155
I88-A2Z W
RAST



2 NO contacts

1 NC / 1 NO contact
Overlapping

Approvals



Replacement actuator: -

Replacement actuator: -

Special features / variants
(on request)

Special features / variants
(on request)