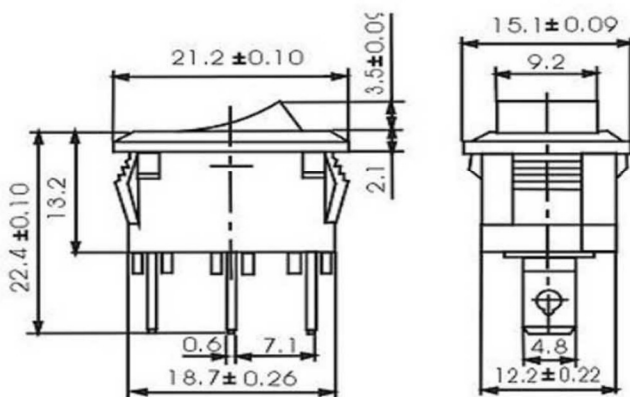
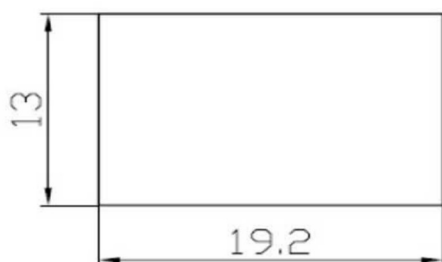


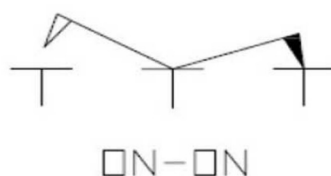
外型图 (Outline Drawing)



安装尺寸 (Mounting)



电路图 (Circuitry)



技术特性

1. 规格

Specification

Rating:

**6A125V 3A250VAC
10A125V 6A250VAC**

2. 接触电阻

Contact Resistance:

35mΩ max

3. 绝缘电阻

Insulation Resistance:

500VDC 100MΩ min

4. 耐电压

Dielectric Strength:

1500VAC, 1Minute

5. 操作温度

Operating Temperature:

-25°C ~ +85°C

6. 电气寿命

Electrical Life:

10000 Cycles