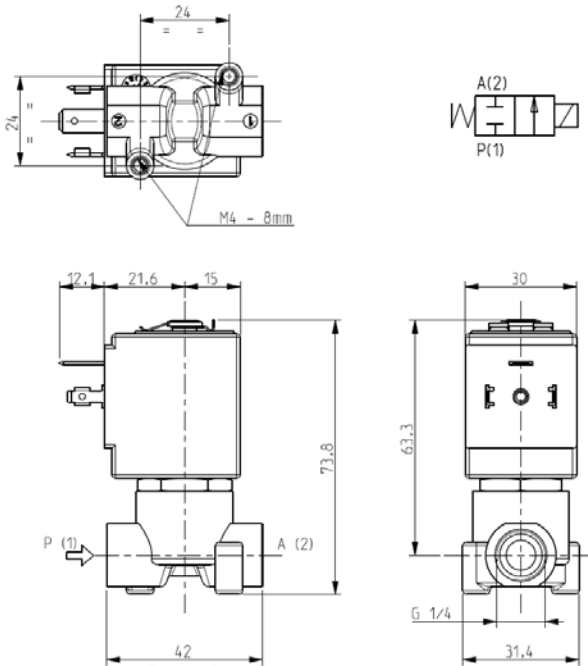




SOLENOID VALVE
2/2 - NC (Normally closed)
 Direct acting
G 1/4

L121D08



► **GENERAL FEATURES**

Direct acting solenoid valve, complying with NSF standards.
 Suitable to shut off liquid and gaseous fluids; particularly suitable to shut off overheated water and steam (verify the compatibility of fluid with materials in contact).

► **TECHNICAL FEATURES**

Maximum allowable pressure (PS) 40 bar
 Opening time ~20ms
 Closing time ~20ms
 Fluid temperature -10°C +140°C
 Max viscosity 5°E (~37 cStokes or mm²/s)

► **MATERIALS IN CONTACT WITH FLUID**

Body Chemically nickel coated brass (Ni-P)
 Sealing EPDM
 Internal components Stainless steel
 Seat Stainless steel
 Guide assembly Stainless steel
 Shading ring Copper

► **COIL**

Approval UL (class F)
 Continuous duty ED 100%
 Encapsulation material PPS (Polyphenilsulfure) glass fibre reinforced
 Coil insulation class F (155°C) on request class H (180°C)
 Ambient temperature -10°C +50°C
 Electric connections DIN 46340 - 3 poles connectors (EN175301-803)
 Protection degree IP 67 (EN 60529) with plug connector
 Voltages DC 12-24V (+10% -5%)
 AC ZA10A: 24V/50Hz - 110V/50Hz (120V/60Hz) - 230V/50Hz (+10% -15%)
 (Other voltages and frequencies on request)

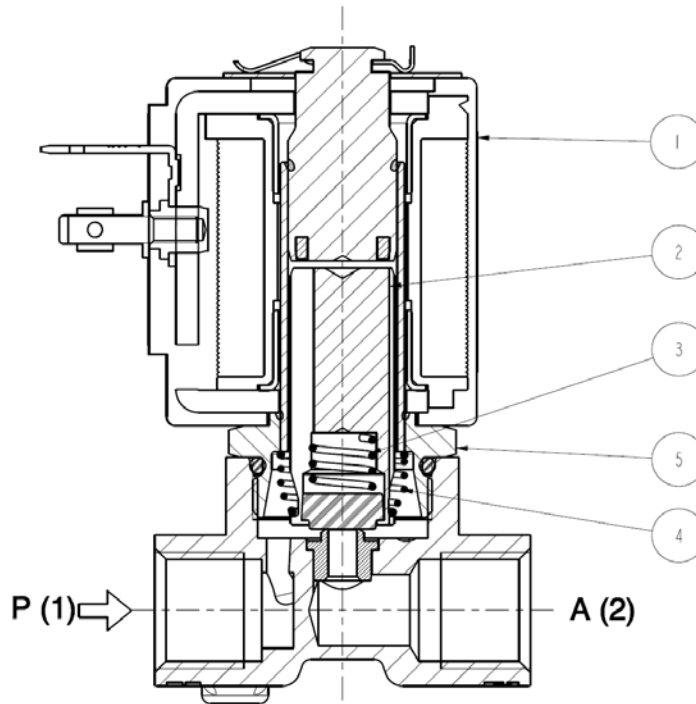
Port size ISO 228	Orifice size (mm)	Differential pressure (bar)				Kv (m ³ /h)	Series and type		Power absorption			Sealings	Notes	Weight (kg)	
		Δp min	Δp max				Valve	Coil	AC (VA)		DC (W)				
			Gases		Liquids				Inrush	Holding					
			AC	DC	AC										DC
G 1/4	4,8	0	4,5	1	4,5	1	L121D08	ZA10A	23	14	9	EPDM	1	0,290	
			-	2	-	2		ZA10G	-	-	12				

► **NOTES**

- Sealings : EPDM = Ethylene-propylene elastomer
- IMQ CSV approval, see ZA10 datasheet for further details
- UL approved coil (E153691)
- 1 - Only for use with steam, consider following values: PSmax 4 bar (max temperature of fluid 140°C).

L121D08

► SPARE PARTS



Kit description

Kit description	Kit P.N.	Consisting of:
Core kit	G3022808	Core (with core return spring) pos. 2 OR guide assembly pos. 4
Core return spring kit	G3018901	N.10 core return spring pos. 3
OR guide assembly kit	GU2446000017	N.10 OR guide assembly pos. 4
Guide pipe assembly kit	G31486	Guide pipe assembly pos. 5 Coil clip
Coil	ZA10A ZA10G	Coil pos. 1

► MOUNTING

Solenoid valve can be mounted in any position; vertical with coil upwards preferred.