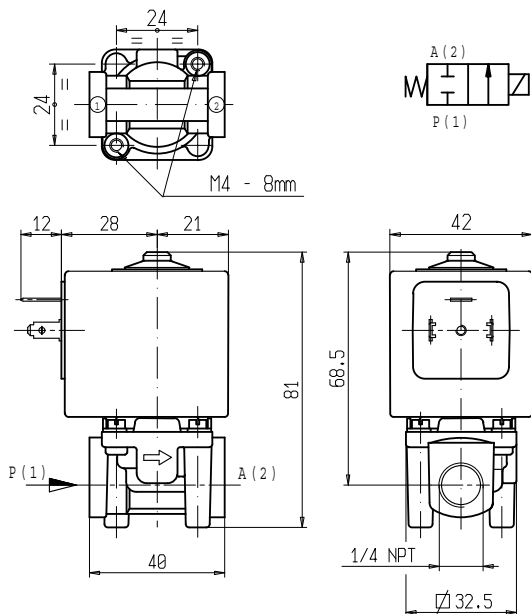




**SOLENOID VALVE**  
**2/2 - NC (Normally closed)**  
**Direct acting**  
**1/4 NPT**

**L139-NPT**



► **GENERAL FEATURES**

Direct acting solenoid valve.  
 Suitable to shut off liquid and gaseous fluids (verify the compatibility of fluid with materials in contact).

► **TECHNICAL FEATURES**

Maximum allowable pressure (PS) 20 bar  
 Opening time ~30ms  
 Closing time ~30ms  
 Fluid temperature -10°C +90°C (NBR)  
 0°C +130°C (FPM)  
 Max viscosity 5°E (~37 cStokes or mm<sup>2</sup>/s)

► **MATERIALS IN CONTACT WITH FLUID**

Body Brass  
 Sealing NBR or FPM  
 Internal components Stainless steel  
 Seat Brass  
 Core tube Stainless steel  
 Shading coil Copper

► **COIL**

Continuous duty ED 100%  
 Encapsulation material PET (polyethylene-terephthalate) fiberglass reinforced F (140°C) on request class H (165°C) - UL  
 Insulation class -10°C +60°C  
 Ambient temperature -10°C +60°C  
 Electric connections DIN 46340 - 3 poles connectors (EN175301-803)  
 Protection degree IP 65 (EN 60529) with plug connector  
 Voltages DC 12-24V (+10% -5%)  
 AC 24V/50Hz - 110V/50Hz (120V/60Hz) - 230V/50Hz (+10% -15%)  
 (Other voltages and frequencies on request).

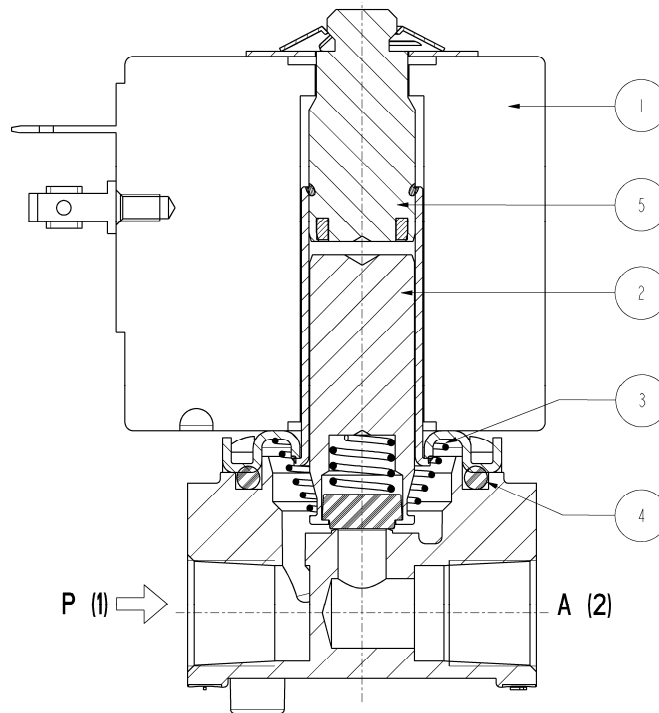
Port size (ins)	Orifice size (mm)	Differential pressure (bar)				Kv (m <sup>3</sup> /h)	Series and type		Power absorption			Sealings	Notes	Weight (kg)	
		Δp min	Δp max		Valve		Coil	AC (VA)		c.c. (W)					
			Gas	Liquids				Inrush	Holding						
			AC	DC	AC	DC									
1/4 NPT	4,5	0	8	4	8	4	0,50	L139B09	Z130A	44	24.	13	NBR	-	0,500
								L139V09							
	6		3,5	1,5	3,5	1,5	0,70	L139B09							
								L139V09							

► **NOTES**

- Sealings : NBR = Nitrile-butylene elastomer FPM = Fluoro-carbon elastomer

# L139-NPT

## ► SPARE PARTS



### Kit description

Core kit

L139B09  
L139V09

### Kit P.N.

G2877301  
G2877302

### Consisting of:

Core (with core return spring) pos. 2  
OR guide assembly pos. 4

Core return spring kit

G2867301

N.10 core return springs pos. 3

Guide assembly

3077401R

Guide assembly pos. 5

Coil

Z130A

Coil pos. 1

## ► INSTALLATION

Solenoid valve can be mounted in any position; vertical with coil upwards preferred.

THE VALIDITY OF REPORTED DATA IS REFERRED TO THE DATE OF ISSUE. POSSIBLE UPDATES ARE AVAILABLE ON REQUEST.