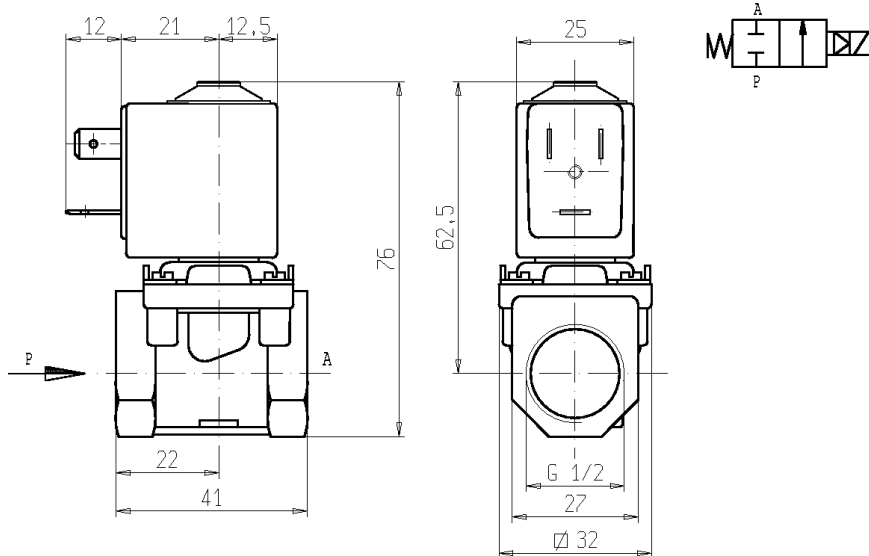




SOLENOID VALVE
2/2 - NC (Normally closed)
Pilot operated
G1/2

L140



► **GENERAL FEATURES**

Diaphragm valve, pilot operated, having full orifice.
 Suitable to shut off liquid and gaseous fluids (verify the compatibility of fluid with materials in contact).

► **TECHNICAL FEATURES**

Maximum allowable pressure (PS) 16 bar
 Opening time ~30ms
 Closing time ~50ms
 Fluid temperature -10°C +90°C (NBR)
 0°C +100°C (FPM)
 -10°C +100°C (EPDM)
 Max viscosity 5°E (~37 cStokes or mm²/s)

► **MATERIALS IN CONTACT WITH FLUID**

Body Brass
 Sealing NBR or FPM or EPDM
 Internal components Stainless steel and POM (acetal copolymer)
 Seat Brass
 Guide assembly Stainless steel
 Shading ring Copper

► **COIL**

Continuous duty ED 100%
 Encapsulation material PET (polyethylene terephthalate) fiberglass reinforced
 Insulation class F (155°C) on request class H (180°C) - UL
 Ambient temperature -10°C +60°C
 Electric connections DIN 46340 - 3 poles connectors
 Protection degree IP 65 (EN 60529) with plug connector
 Voltages AC 24V/50-60Hz - 110V/50-60Hz (120V/60Hz)
 230V/50-60Hz (+10% -15%)
 (Other voltages and frequencies on request)

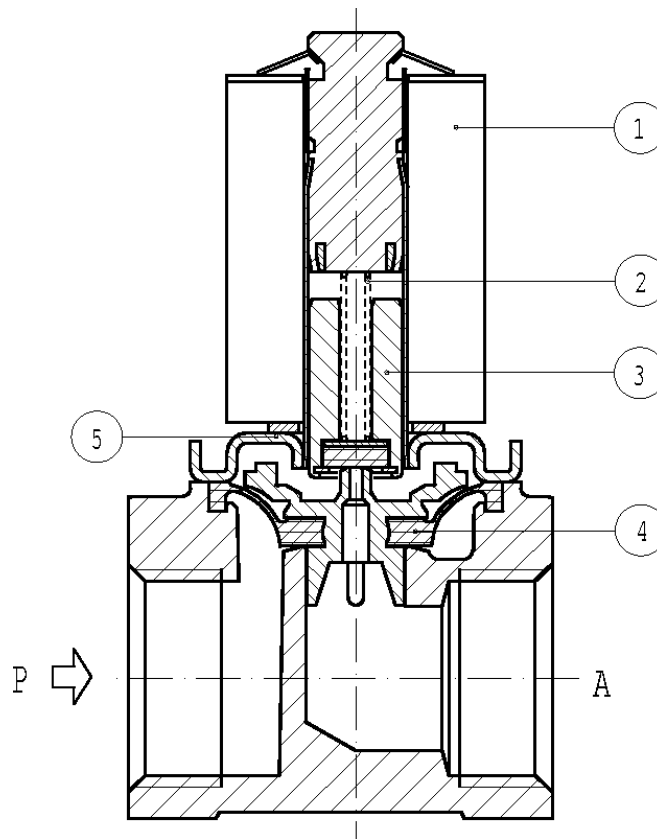
Port size ISO 228	Ø Int. (mm)	Differential pressure (bar)				Kv (m ³ /h)	Series and type		Power absorption			Sealings	Notes	Weight (kg)	
		Δp min	Δp max				Valve	Coil	AC (VA)		c.c. (W)				
			Gas		Liquids				Inrush	Holding					
			c.a.	c.c.	c.a.										c.c.
G 1/2	10	0,35	10	-	10	-	1,5	L140B5	Z610A	16	10	-	1	0,270	
								L140V5							
								L140D05							

► **NOTES**

- Sealings : NBR = Nitrile-butylene elastomer FPM = Fluoro-carbon elastomer EPDM = Ethylene-propylene elastomer (WRAS/KTW certified compound)
 - Continuous changes of pressure may reduce the life of the diaphragm.
 1 - The Δp max value is valid only for 50Hz; for operation at 60Hz, Δp max is 5 bar.

L140

► SPARE PARTS



Kit description

Kit P.N.

Consisting of:

Core kit	L140B5 L140V5 L140D05	G2851701 G2851702 G2851704	Core pos. 3 Core return spring pos. 2
Core return spring kit		G2733901	N.10 Core return springs pos. 2
Diaphragm assembly	L140B5 L140V5 L140D05	2706503R 2706504R 2706507R	Diaphragm assembly pos. 4
Guide pipe assembly		2733801R	Guide pipe assembly pos. 5
Coil		Z610A	Coil pos. 1

► MOUNTING

Solenoid valve can be mounted in any position; vertical with coil upwards preferred.