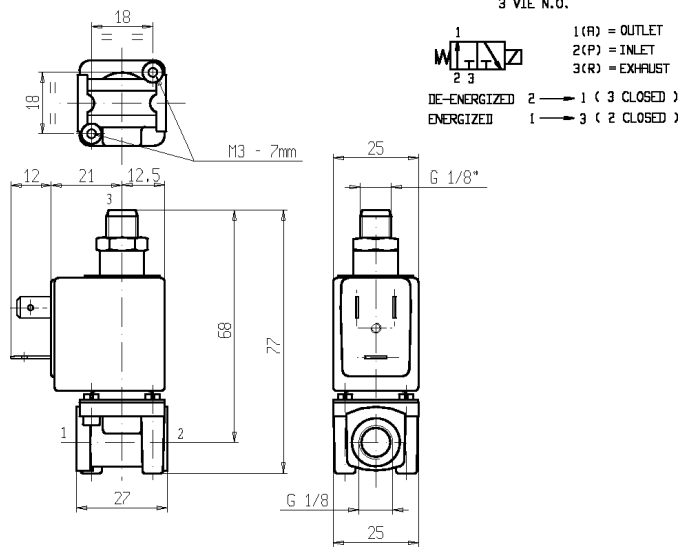




SOLENOID VALVE
3/2 - NO (Normally open)
Direct acting
G 1/8

L331



► **GENERAL FEATURES**

Direct acting solenoid valve, small body size.
 Suitable for pneumatic and hydraulic circuits and to operate single-acting cylinders.
 Suitable to shut off liquid and gaseous fluids (verify the compatibility of fluid with materials in contact).

► **TECHNICAL FEATURES**

Maximum allowable pressure (PS) 30 bar
 Opening time ~15ms
 Closing time ~15ms
 Fluid temperature -10°C +90°C
 Max viscosity 5°E (~37 cStokes or mm²/s)

► **MATERIALS IN CONTACT WITH FLUID**

Body Brass
 Sealing NBR
 Internal components Stainless steel
 Seat Brass
 Core tube Stainless steel
 Shading coil Copper

► **COIL**

Continuous duty ED 100%
 Encapsulation material PET (polyethylene terephthalate) fiberglass reinforced
 Insulation class F (155°C)
 Ambient temperature -10°C +60 °C
 Electric connections DIN 46340 - 3 poles connectors
 Protection degree IP 65 (EN 60529) with plug connector
 Voltages DC 12-24V (+10% -5%)
 AC 24V/50-60Hz - 110V/50-60Hz (120V/60Hz) - 230V/50-60Hz (+10% -15%)
 (Other voltages and frequencies on request)

Port size ISO 228	Orifice size (mm)	Differential pressure (bar)						Kv (m ³ /h)	Series and type		Power absorption			Sealings	Function Notes	Weight (kg)
		Δp min	Δp max				Valve		Coil	AC (VA)		DC (W)				
			Gases		Liquids					Inrush	Holding					
			AC	DC	AC	DC										
G 1/8	1,6	0	10	7	8	4	0,08	L331B24	Z610A	16	10	6	NBR	-	0,170	

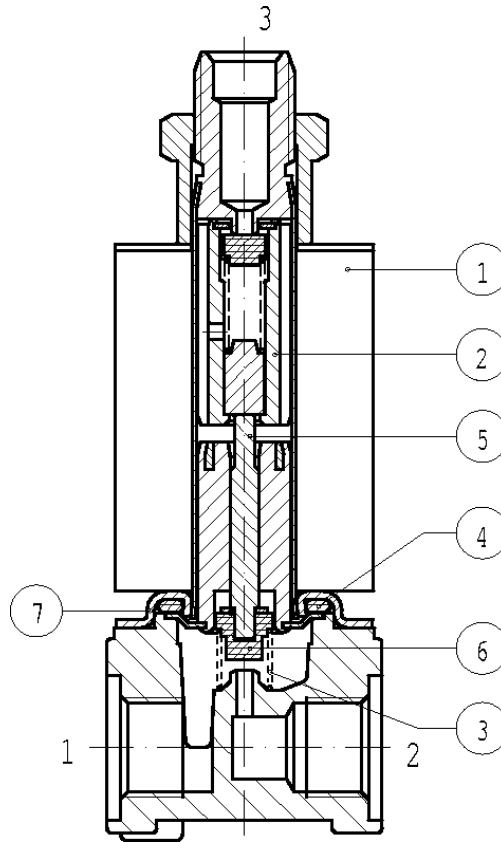
► **NOTES**

- Sealings : NBR = Nitrile-butylene elastomer
 - In case of disassembling of the coil, the fixing bolt has to be tightened at 3 Nm max. torque.

08121006

L331

► SPARE PARTS



Kit description

Kit P.N.

Consisting of:

Core kit

G2559601

Core pos.2
Push-rod pos.5
Sealing return spring pos. 3
O-Ring guide assembly pos.4

Core spring sealing kit

G2334101

N.10 sealing return spring pos.3

O-rings guide assembly

GU2421000015

N.10 O-rings guide assembly pos.4

Sealing kit

G2321801

N. 10 sealing pos.6

Guide assembly

2332801R

Guide assembly pos. 7

Coil

Z610A

Coil pos.1

► INSTALLATION

- Solenoid valve can be mounted in any position; vertical with coil upwards preferred

THE VALIDITY OF REPORTED DATA IS REFERRED TO THE DATE OF ISSUE. POSSIBLE UPDATES ARE AVAILABLE ON REQUEST.