



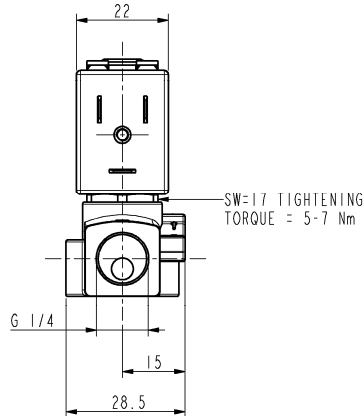
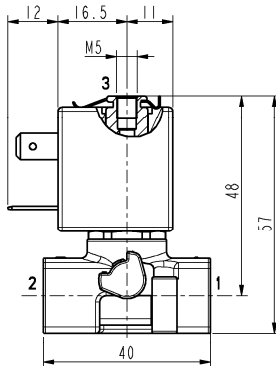
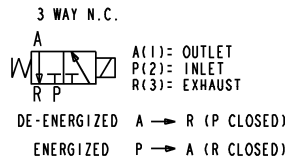
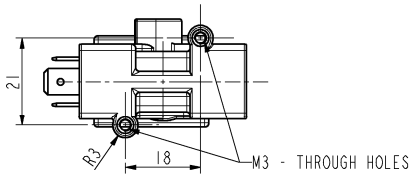
SOLENOID VALVE

3/2- NC (Normally closed)

Direct acting

G 1/4

L376



► GENERAL FEATURES

Direct acting solenoid valve.
Suitable to shut off liquid and gaseous fluids (verify the compatibility of fluid with material in contact)

► TECHNICAL FEATURES

Maximum allowable pressure (PS) 50bar
Opening time ~10ms
Closing time ~10ms
Fluid temperature -10°C +130°C
Max viscosity 5°E (~37 cStokes or mm²/s)

► MATERIALS IN CONTACT WITH FLUID

Body Brass
Sealing FPM
Internal components Stainless steel
Seat Brass
Core tube Stainless steel
Shading coil Copper

► COIL

According to standards

Encapsulation material

Insulation class

Ambient temperature

Continuous duty

Electric connection

Protection degree

Voltages DC
AC

ZB10A	ZB12A	ZB14A
/	UL and CSA	UL and CSA
PA fiberglass reinforced	PET fiberglass reinforced	PET fiberglass reinforced
F (155°C)	F (155°C)	H (180°C)
-10°C +60°C	-10°C +60°C	-10°C +75°C
ED 100%		
DIN 46340 - 3 poles plug connector		
IP 65 (EN 60529) with plug connector	IP 67 (EN 60529) with plug connector	IP 67 (EN 60529) with plug connector
12-24V (+10% -5%)		
24V/50-60Hz - 115V/50Hz - 230V/50-60Hz (+10% -15%)		

(Other voltages and frequencies on request).

Port size ISO 228	Orifice size (mm)		Differential pressure (bar)				Kv (m ³ /h)		Series and type		Power absorption				Sealings	Notes	Weight (kg)	
			Δp min	Δp max							AC (VA)		DC					
	Gases			Liquids		Inrush	Holding											
	1↔2	1↔3		AC	DC			AC	DC	VA	VA	W		W				
G1/4	1,6	1,2	0	10	10	10	10	0,08	0,05	L376V03C	ZB10A ZB12A	12	6	4	5,5	FPM	1	0,205
	2,4	1,2		4	4	4	4	0,14	0,05									

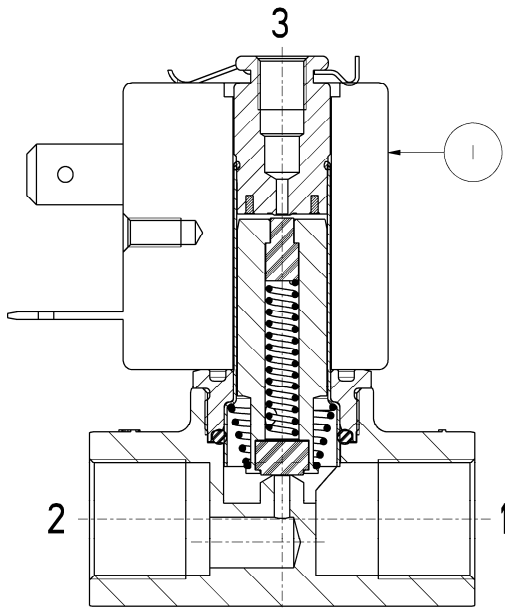
► NOTES

- Sealings: FPM = Fluoro-carbon elastomer
- On request: - body valve in stainless steel AISI 316L: L376V07
 - version with manual override: L376V01
 - coil in class H (ZB14A – see § "COIL")

1 – ZB12A and ZB14A coils fitted with sealing gaskets underneath and on the upper part (see sectional view on the back)

► SPARE PARTS

WITH ZB10A COIL



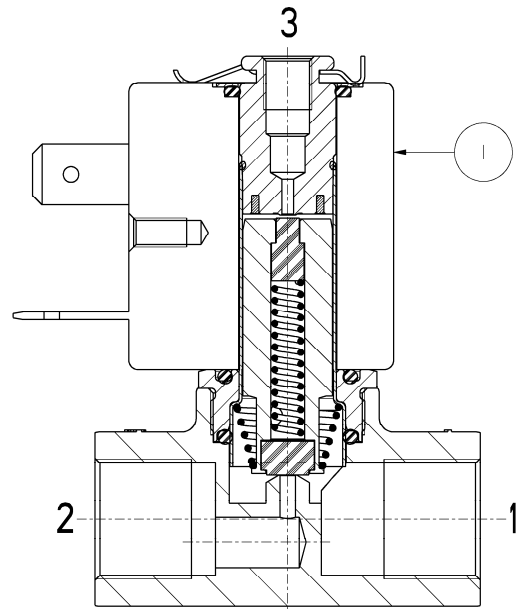
Kit description

Coil

Kit P.N.

ZB10A
ZB12A
ZB14A

WITH ZB12A – ZB14A



Consisting of:

Coil pos.1

► INSTALLATION

- Solenoid valve can be mounted in any position; vertical with coil upwards preferred.