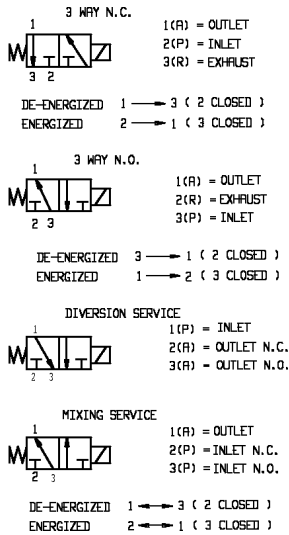
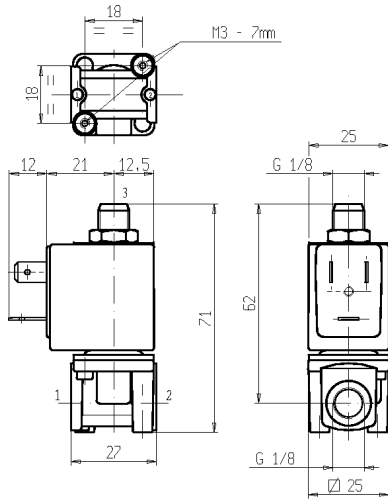




SOLENOID VALVE
3/2 - NC - NO - UF (Universal function)
 Direct acting
 G 1/8

L377



► **GENERAL FEATURES**

Direct acting solenoid valve.
 Particularly suitable to operate single-acting cylinders.
 Suitable to shut off liquid and gaseous fluids (verify the compatibility of fluid with materials in contact).

► **TECHNICAL FEATURES**

Maximum allowable pressure (PS) 30 bar
 Opening time ~15ms
 Closing time ~15ms
 Fluid temperature -10°C +90°C (NBR)
 0°C +130°C (FPM)
 Max viscosity 5°E (~37 cStokes or mm²/s)

► **MATERIALS IN CONTACT WITH FLUID**

Body Brass
 Sealing NBR or FPM
 Internal components Stainless steel
 Seat Brass
 Core tube Stainless steel
 Shading coil Copper

► **COIL**

Continuous duty ED 100%
 Encapsulation material PET (polyethylene terephthalate) fiberglass reinforced
 Insulation class F (155°C)
 Ambient temperature -10°C +60°C
 Electric connections DIN 46340 - 3 poles connectors
 Protection degree IP 65 (EN 60529) with plug connector
 Voltages DC 12-24V (+10% -5%)
 AC 24V/50-60Hz - 110V/50-60Hz (120V/60Hz) -
 230V/50-60Hz (+10% -15%)
 (Other voltages and frequencies on request).

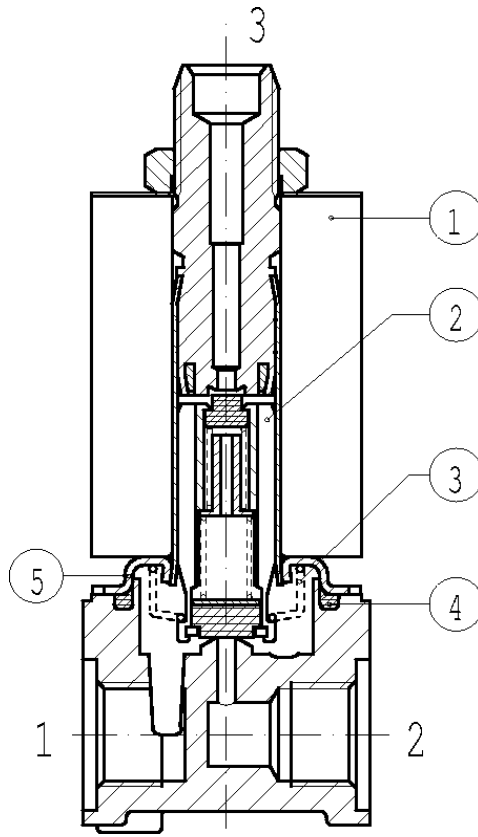
Port size ISO 228	Orifice size (mm)	Differential pressure (bar)				Kv (m ³ /h)	Series and type		Power absorption			Sealings	Function Notes	Weight (kg)	
		Δp min	Δp max				Valve	Coil	AC (VA)		DC (W)				
			Gases		Liquids				Inrush	Holding					
			AC	DC	AC										DC
G 1/8	1,6	0	10	10	8	8	L377B03C L377V03C L377B03A L377B03G L377V03G	Z610A	16	10	6	NBR	NC	0,170	
			6	6	6	6						FPM			
			6	6	6	6						NBR	NO - 1		
			6	6	6	6						FPM	UF		
			6	6	6	6									

► **NOTES**

- Sealings : NBR = Nitrile-butylene elastomer FPM = Fluoro-carbon elastomer
- NC: Normally closed - NO: Normally open - UF: Universal function
- In case of disassembling of the coil, the fixing bolt has to be tightened at 3 Nm max. torque.
- 1 - The NO version is not suitable for installation on manifold: see the L331B24.

L377

► SPARE PARTS



Kit description

Kit P.N.

Consisting of:

Core kit	L377B03C L377V03C L377B03A L377B03G L377V03G	G2934701 G2934702 G2934801 G2934901 G2934902	Core pos. 2 OR guide assembly pos. 4
Core return spring kit	L377B03C-V03C L377B03A L377B03G-V03G	G2926801 G2926901 G2927101	N.10 core return springs pos.3
OR guide assembly kit	L377B03C-B03A-B03G L377V03C-V03G	GU2421000017 GU2424000017	N.10 OR guide assembly pos. 4
Guide assembly		2973101R	Guide assembly pos. 5
Coil		Z610A	Coil pos. 1

► INSTALLATION

Solenoid valve can be mounted in any position; vertical with coil upwards preferred.

THE VALIDITY OF REPORTED DATA IS REFERRED TO THE DATE OF ISSUE. POSSIBLE UPDATES ARE AVAILABLE ON REQUEST.