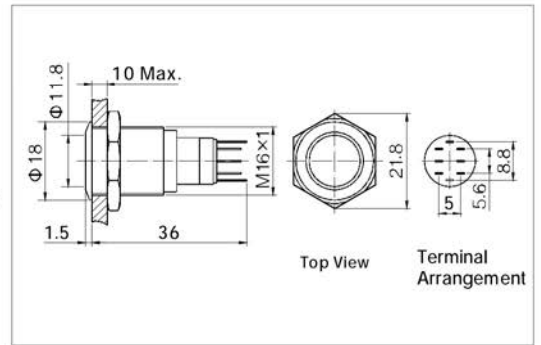


Metal push button



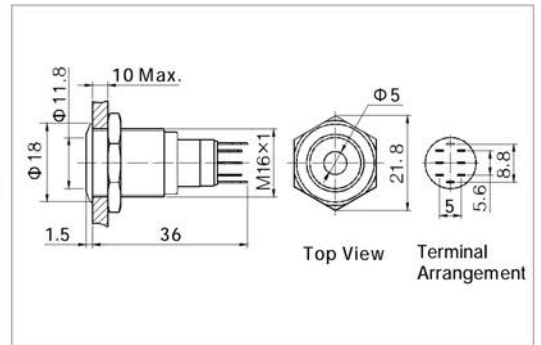
- ⊙ Φ 16mm diameter
- ⊙ Switch Rating: 3A/250VAC
- ⊙ Contact Configuration: 1NO1NC / 2NO 2NC
- ⊙ Operation Type: Momentary/Latching
- ⊙ The Front Shape: Flat Round
- ⊙ The crust material: Stainless Steel/ Nickel Plated Brass
- ⊙ IP Degree: IP40/IP67



Metal dot illuminated push button



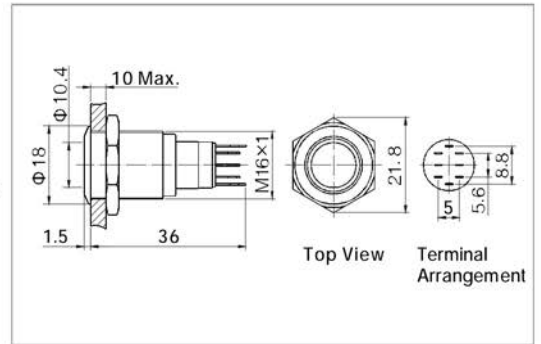
- ⊙ Φ 16mm diameter
- ⊙ Switch Rating: 3A/250VAC
- ⊙ Contact Configuration: 1NO1NC / 2NO 2NC
- ⊙ Operation Type: Momentary/Latching
- ⊙ The Front Shape: Flat Round
- ⊙ The crust material: Stainless Steel/ Nickel Plated Brass
- ⊙ Dot Illuminated
- ⊙ IP Degree: IP40/IP67



Metal ring illuminated push button



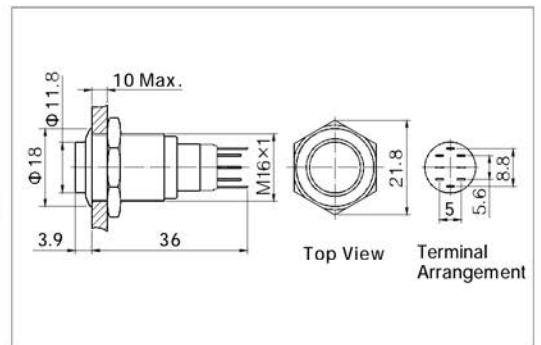
- ⊙ Φ 16mm diameter
- ⊙ Switch Rating: 3A/250VAC
- ⊙ Contact Configuration: 1NO1NC / 2NO 2NC
- ⊙ Operation Type: Momentary/Latching
- ⊙ The Front Shape: Flat Round
- ⊙ The crust material: Stainless Steel/ Nickel Plated Brass
- ⊙ Ring Illuminated
- ⊙ IP Degree: IP40/IP67



Metal push button



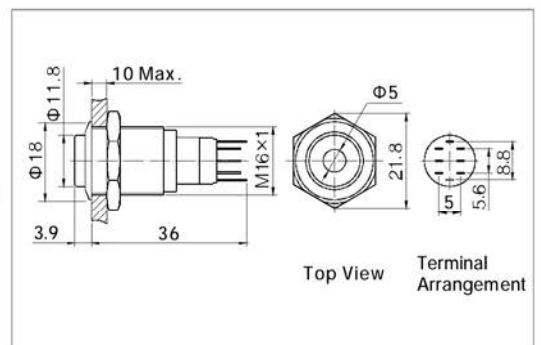
- ⊙ Φ 16mm diameter
- ⊙ Switch Rating: 3A/250VAC
- ⊙ Contact Configuration: 1NO1NC / 2NO 2NC
- ⊙ Operation Type: Momentary/Latching
- ⊙ The Front Shape: High Round
- ⊙ The crust material: Stainless Steel/ Nickel Plated Brass
- ⊙ IP Degree: IP40/IP67



Metal dot illuminated push button



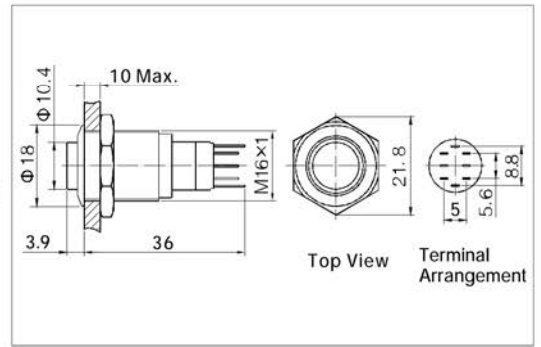
- ⊙ Φ 16mm diameter
- ⊙ Switch Rating: 3A/250VAC
- ⊙ Contact Configuration: 1NO1NC / 2NO 2NC
- ⊙ Operation Type: Momentary/Latching
- ⊙ The Front Shape: High Round
- ⊙ The crust material: Stainless Steel/ Nickel Plated Brass
- ⊙ Dot Illuminated
- ⊙ IP Degree: IP40/IP67



Metal ring illuminated push button



- ◎ Φ 16mm diameter
- ◎ Switch Rating: 3A/250VAC
- ◎ Contact Configuration: 1NO1NC / 2NO 2NC
- ◎ Operation Type: Momentary/Latching
- ◎ The Front Shape: High Round
- ◎ The crust material: Stainless Steel/ Nickel Plated Brass
- ◎ Ring Illuminated
- ◎ IP Degree: IP40/IP67

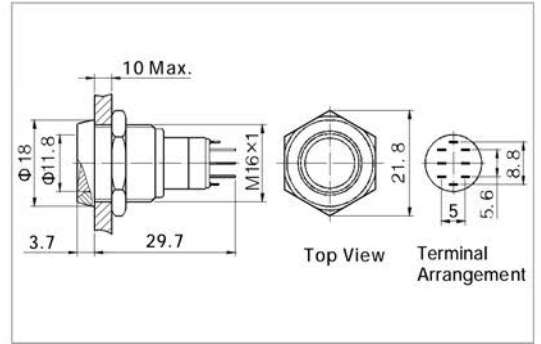


Specification	LAS2GQF-□■/◎/☆ LAS2GQH-□■/◎/☆	LAS2GQF-□■D/△/▲/◎/☆ LAS2GQH-□■D/△/▲/◎/☆	LAS2GQF-□■E/△/▲/◎/☆ LAS2GQH-□■E/△/▲/◎/☆
The Front Shape	Flat Round High Round	Flat Round High Round	Flat Round High Round
Terminal Type	Pin Terminal(1.8×0.4mm)	Pin Terminal(1.8×0.4mm)	Pin Terminal(1.8×0.4mm)
Switching	No.3	No.3	No.3
Max. Switch Rating	Ith:3A Ui:250VAC	Ith:3A Ui:250VAC	Ith:3A Ui:250VAC
Contact Resistance	≤50mΩ	≤50mΩ	≤50mΩ
Insulation Resistance	≥1000MΩ	≥1000MΩ	≥1000MΩ
Dielectric Intensity	2000VAC	2000VAC	2000VAC
Operating Temp	-20℃ ~ +55℃	-20℃ ~ +55℃	-20℃ ~ +55℃
Mechanical life	200,000cycles	200,000cycles	200,000cycles
Electrical life	50,000cycles	50,000cycles	50,000cycles
Panel Thickness	1 ~ 10mm	1 ~ 10mm	1 ~ 10mm
Torque	5 ~ 14Nm	5 ~ 14Nm	5 ~ 14Nm
Operation Pressure	2.5 ~ 4N	2.5 ~ 4N	2.5 ~ 4N
Operation Distance	About 2.8mm	About 2.8mm	About 2.8mm
IP Degree	IP40/IP67	IP40/IP67	IP40/IP67
Material	Contact	Silver Alloy	Silver Alloy
	Button	Stainless Steel/Nickel Plated Brass	Stainless Steel/Nickel Plated Brass
	Body	Stainless Steel/Nickel Plated Brass	Stainless Steel/Nickel Plated Brass
	Base	PBT	PBT
	RoHS	Made to order	Made to order
LED Spec.	Type	Without Lamp	Dot Illuminated(LED) Ring Illuminated(LED)
	Rated Voltage	---	6V / 12V / 24V / 110V / 220V
	Color	---	R G Y O B W
	Life	---	40000小时

Anti-vandal metal push button



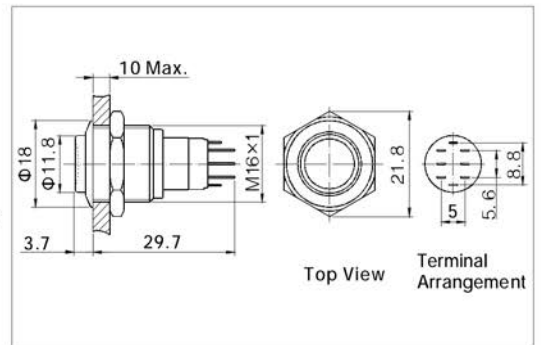
- ⊙ Φ 16mm diameter
- ⊙ Switch Rating: 3A/250VAC
- ⊙ Contact Configuration: 1NO1NC / 2NO 2NC
- ⊙ Operation Type: Momentary/Latching
- ⊙ The Front Shape: Concave Round
- ⊙ The crust material: Stainless Steel/ Nickel Plated Brass
- ⊙ IP Degree: IP67



Anti-vandal metal colored push button



- ⊙ Φ 16mm diameter
- ⊙ Switch Rating: 3A/250VAC
- ⊙ Contact Configuration: 1NO1NC / 2NO 2NC
- ⊙ Operation Type: Momentary/Latching
- ⊙ The Front Shape: High Concave Round
- ⊙ The crust material: Stainless Steel/ Nickel Plated Brass
- ⊙ IP Degree: IP67
- ⊙ Head Color: R/G/Y/O/B/W/N



Specification	LAS2GQC-□■/○/☆	LAS2GQG-□■/△/◎/☆
The Front Shape	Concave Round	High Concave Round
Terminal Type	Pin Terminal(1.8×0.4mm)	Pin Terminal(1.8×0.4 mm)
Switching	No.3	No.3
Max. Switch Rating	Ith:3A Ui:250VAC	Ith:3A Ui:250VAC
Contact Resistance	≤50mΩ	≤50mΩ
Insulation Resistance	≥1000MΩ	≥1000MΩ
Dielectric Intensity	2000VAC	2000VAC
Operating Temp	-20℃ ~ +55℃	-20℃ ~ +55℃
Mechanical life	200,000cycles	200,000cycles
Electrical life	50,000cycles	50,000cycles
Panel Thickness	1 ~ 10mm	1 ~ 10mm
Torque	5 ~ 14Nm	5 ~ 14Nm
Operation Pressure	2.5~4N	2.5~4N
Operation Distance	About 2.8mm	About 2.8mm
IP Degree	IP40/IP67	IP40/IP67
Head	Machine brushed	R G Y O B W N
Material	Contact	Silver Alloy
	Button	Stainless Steel/Nickel Plated Brass
	Body	Stainless Steel/Nickel Plated Brass
	Base	PBT
RoHS	Made to order	Made to order