

Product Information

Level Sensor LS10



- Measuring range from 100 mbar..10 bar relative
- Output 4..20 mA
- Process temperature -10..+60 °C
- Protection class IP68, depth of immersion max. 100 m

Characteristics

The LS10 liquid level transmitter is designed for economical and reliable performance in a wide variety of level measurement applications. The LS10 provides a signal output of 4-20mA and an accuracy of 0.25% of span. Standard stocked pressure ranges are assembled with any length cable for fast delivery.

Compensation for atmospheric pressure changes is accomplished through a vent tube in the cable.

Technical data

Power supply

Supply voltage : 10..30 V DC (U+)
 Medium temp. : -10..+50 °C (compensated range 0..50 °C)
 Ambient temp. : -20..+80 °C
 CE-conformity : EN 50081-1:03-2009, EN 50081-2:03-94,
 EN 50082-2:03-95

Output

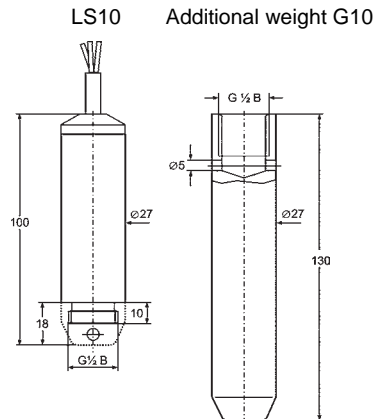
Current : 4..20 mA, 2-wire
 Max. burden R_A : $\leq (U+ - 10 V) \div 0,02 A - (0.14 \Omega \times \text{cable length}[m])$

Accuracy : 0.5 % optional 0.25 %

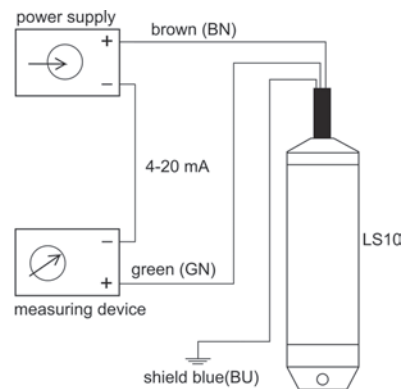
Material

Process conn. : stainless steel [Hastelloy®]
 Case : stainless steel [Hastelloy®]
 Membrane : stainless steel [Hastelloy®]
 Protection cap : PA
 Electrical connection : PUR cable vented
 Protection class : IP68 (immersion depth max. 100 m)
 Weight : approximately 0.2 kg

Dimensions



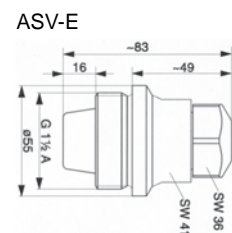
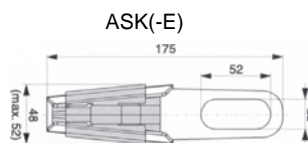
Connection diagram



Ordering code

LS10 - 1. - 2. - 3.

1. Output	
2	4..20 mA
2. Measuring range [bar]	
	0.1/ 0.16/ 0.25/ 0.4/ 0.6/ 1/ 1.6/ 2.5/ 4/ 6/ 10
3. Cable length [m]	
	Please insert
Accessories	
G10	additional weight 0.5 kg
ASK	anchor clamp steel zinc plate
ASK-E	anchor clamp stainless steel 1.4571
ASV-E	anchor gland stainless steel 1.4301



... professional Instruments "MADE IN GERMANY"