



Features:

- 8 Digit LCD Counter
- Self Powered
- Long battery Life
- Contact / Voltage Input

Size: 1/32 DIN 24mm X 48mm

Certifications:

Technical Specifications

Input Specifications

Input Type	a) 24 to 260V AC b) Contact input
Input Speed	a) 14Hz b) 100Hz
Reset	Front , Remote

Functional Specifications

Range	99999999 counts
Counting Direction	Up
Memory	Yes


Supply Voltage

Supply Voltage	Battery powered
----------------	-----------------


Environmental Specifications

Temperature	Operating: 0 to 50°C (32 to 122°F) Storage: -20 to 75°C (-4 to 167°F)
Humidity (non-condensing)	95% RH
Weight	40 gms (0.088 lbs)
Protection Level	IP40 for faceplate

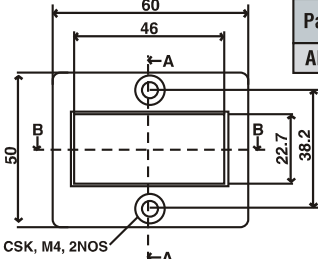
Accessory



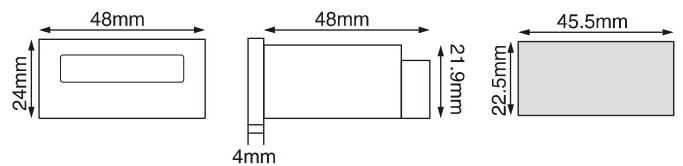
Part No.	Description
AP4848	Plastic adaptor for fitting the product into 46mm x 46mm cutout



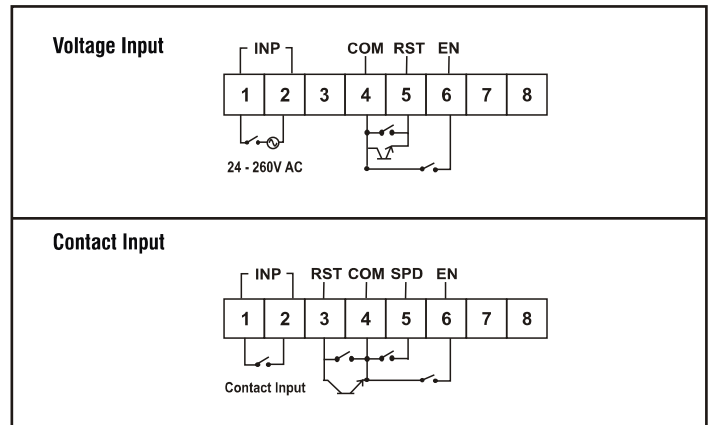
Part No.
AP6050



Dimensions



Terminal Connections



Ordering Information

Part No.	Input Type	
	Contact	Voltage
LXC900-C	■	
LXC900-V		■