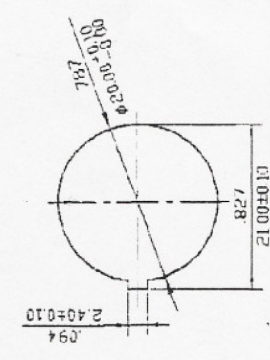
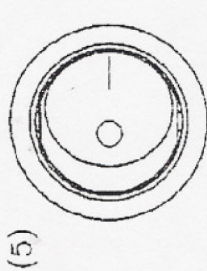
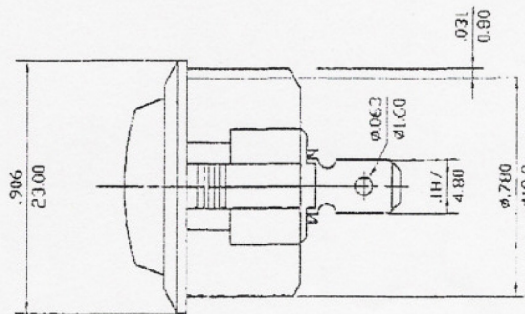
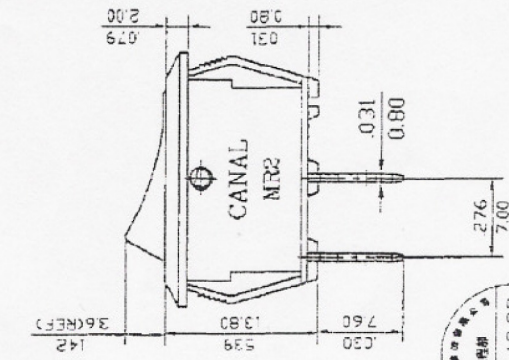
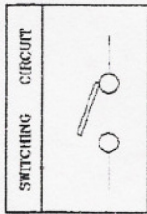
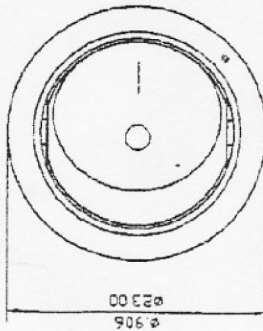


# 嘉尼企業股份有限公司 CANAL ELECTRONIC CO., LTD.

ROCKER SWITCH MODEL MR-2 SERIES  
 RATING: 20A 125VAC, 12A 250VAC (UL/CUL)  
 10(4)A 250V~T125(SEV, SEMKO, DEMKO, FIMKO, NEMKO, VDE, CQC)  
 DIELECTRIC VOLTAGE WITHSTAND: 1,000VAC FOR 1 MINUTE  
 INSULATION RESISTANCE: DC 500V 100MΩ (MIN)  
 CONTACT RESISTANCE: 20mΩ INITIAL (MAX.)  
 OPERATION FORCE: 500±200g



NOTE: TOLERANCES UNLESS OTHERWISE SPECIFIED ±.012 (in/mm)

PANEL CUTOUT DIMENSION TABLE

REVISION	DESCRIPTION	REVISED BY	TOLERANCES	XX	ANGLE	UNIT	PART NAME	MR2 SPEC DRAWING	DWG NO
1			3/5	3/5	3/5	mm	MR2-110-R5-**6N	MR2 SPEC DRAWING	S0126B
2			3/5	3/5	3/5	mm	MR2-110-R5-**6N	MR2 SPEC DRAWING	S0126B
3			3/5	3/5	3/5	mm	MR2-110-R5-**6N	MR2 SPEC DRAWING	S0126B
4			3/5	3/5	3/5	mm	MR2-110-R5-**6N	MR2 SPEC DRAWING	S0126B
5			3/5	3/5	3/5	mm	MR2-110-R5-**6N	MR2 SPEC DRAWING	S0126B
6			3/5	3/5	3/5	mm	MR2-110-R5-**6N	MR2 SPEC DRAWING	S0126B
7			3/5	3/5	3/5	mm	MR2-110-R5-**6N	MR2 SPEC DRAWING	S0126B
8			3/5	3/5	3/5	mm	MR2-110-R5-**6N	MR2 SPEC DRAWING	S0126B
9			3/5	3/5	3/5	mm	MR2-110-R5-**6N	MR2 SPEC DRAWING	S0126B
10			3/5	3/5	3/5	mm	MR2-110-R5-**6N	MR2 SPEC DRAWING	S0126B