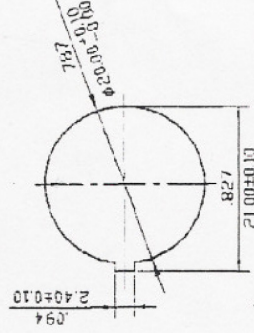
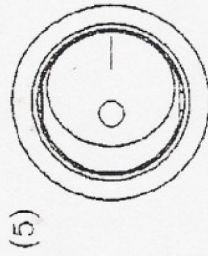
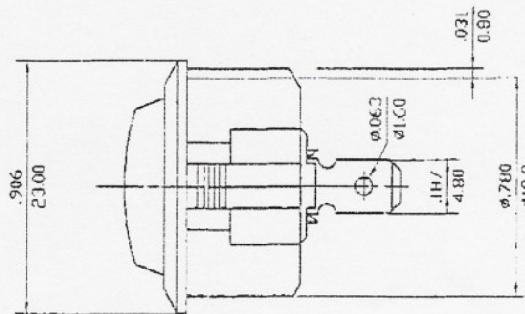
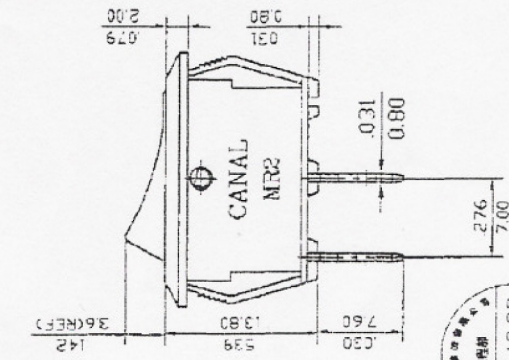
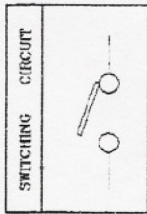
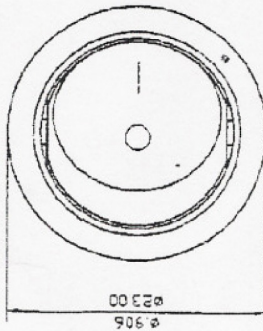


# 嘉尼企業股份有限公司 CANAL ELECTRONIC CO., LTD.

ROCKER SWITCH MODEL MR-2 SERIES  
 RATING: 20A 125VAC, 12A 250VAC (UL/CUL)  
 10(4)A 250V~T125(SEV, SEMKO, DEMKO, FIMKO, NEMKO, VDE, CQC)  
 DIELECTRIC VOLTAGE WITHSTAND: 1,000VAC FOR 1 MINUTE  
 INSULATION RESISTANCE: DC 500V 100MΩ (MIN)  
 CONTACT RESISTANCE: 20mΩ INITIAL (MAX.)  
 OPERATION FORCE: 500±200g



2004.12.23  
 文件號碼

NOTE: TOLERANCES UNLESS OTHERWISE SPECIFIED ±.012 (in/mm)

PANEL CUTOUT DIMENSION TABLE

REVISION	DESCRIPTION	REVISED BY	TOLERANCES	XX	ANGLE	SCALE	UNIT	PART NAME	MR2 SPEC DRAWING	DWG NO
△					3/5					
△										
△	2004.12.25 修改RATING(CS&UL&DIL)	唐聖華								
△	2002.12.30 更改電壓, 重新出圖	高勝堂								
					3004.03.02				MR2-110-R5-**6N	S0126B