

Preset counters, electromechanical

Standard counters	Subtracting, 6 digits (AC+DC)	MVs 16
--------------------------	--------------------------------------	---------------



The electromechanical preset counters **MVs 16** (with manual and electrical reset) boast a robust construction.

They are ideal for use in harsh industrial environments. The subtracting counters are set to a value via the keys on the front, the signal occurs when the count value reaches 0.

Preset counters

Characteristics

- 6-digit subtracting preset counter
- Manual and electrical reset
- Potential free changeover (microswitch) on reaching zero
- Contact remains switched till reset occurs

Benefits

- Delivery complete with push-on connectors
- Versions with transparent cover or sealing cover on request

Applications

Piece counting, batch quantities and automation

Type series

Description

Order-No.

Front bezel 2 with mounting clip

MVs 16.23

Accessories	Dimensions in mm [inch]	Order-No.
Socket box, type 926.1	For counters MVs 16 for plug-in connections	transparent G008433
Mounting frame with cut-out 50 x 50 [2.36 x 2.36] via separate adapter also for 45 x 45 [1.77 x 1.77]	For snap-on mounting on 35 [1.38] top-hat DIN rail, for counters 48 x 48 [1.89 x 1.89], 53 x 53 [2.09 x 2.09] and 55 x 55 [2.17 x 2.17]	chromated G300003

Suitable gaskets as well as further accessories can be found in the accessories section or in the accessories area of our website at: www.kuebler.com/accessories.

Type / Counting mechanism									
Voltage	Type max.	Pulse frequency min.	Pulse on time min.	Pulse interval	Pulse ratio	On-time approx.	Power consump. ripple max.	Permi. residual (non-condensing)	Operating temp.
V DC	1	25 Hz	24 ms	16 ms	3 : 2	100 %	4 W	48 %	-10°C ... +45°C [+14°F ... +113°F]
V AC	a	18 Hz	22.2 ms	33.3 ms	2 : 3	100 %	4.5 VA	–	-10°C ... +45°C [+14°F ... +113°F]

Preset counters, electromechanical

Standard counters	Subtracting, 6 digits (AC+DC)	MVs 16
--------------------------	--------------------------------------	---------------

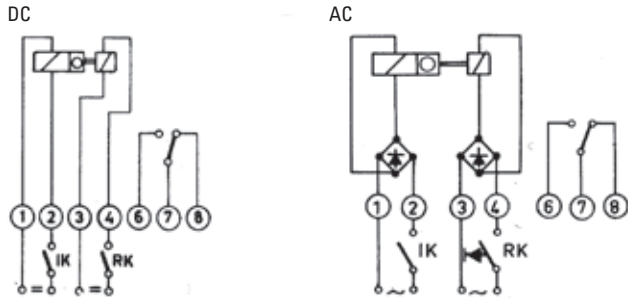
Technical data	
Electrical connection	tinned flat pins 0.8 x 2.8 mm [0.032 x 0.11"] (with push-on connectors) socket box 0.3 x 2.8 mm [0.012 x 0.11"]
Rated voltages	
counting mechanism	12 / 24 / 48 / 115 V DC ±10 % 24 / 48 / 115 / 230 V AC ±10 %
reset magnet	24 / 48 / 115 V DC ±10 % 24 / 48 / 115 / 230 V AC ±10 %
High of figures	4 mm
Colour of housing	similar to RAL 7001
Colour of figures	white on black
Counting mechanism shaft	stainless steel
Mounting position	any
Service life	approx. 100 x 10 ⁶ pulses
Protection	IP40 (front side)
Weight	approx. 170 g [6.00 oz], with electrical reset approx. 210 g [7.41 oz]
Test voltage	2000 V AC, effective
Switching contact	1 change over contact (micro switch), contact making in 2nd half step at zero
Load (max.)	
(at resistive load)	AC 250 V AC 2.0 A DC 24 V DC 2.0 A 60 V DC 0.7 A 115 V DC 0.4 A 230 V DC 0.2 A

At inductive load: suitable spark quenching is required on inductive load, reducing the max. current to approx. 60 %

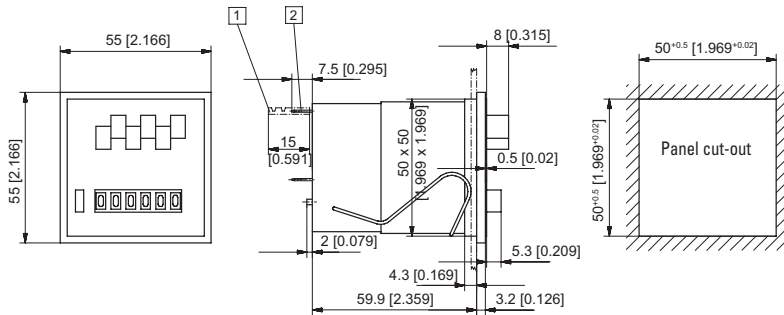
Options	
Electrical reset	
On time	20% max. 1 minute
Minimum pulse time	0.25 sec.
Power consumption	10 W at DC, 14 VA at AC

Connection diagrams

Manual and electrical reset



Front bezel 2 with mounting clips, manual and electrical reset Type MVs 16.23



1 Push-on connector 0.8 x 2.8 tinned [0.032 x 0.11] 2 Flat pin 0.8 x 2.8 [0.032 x 0.11] tinned
Colour of housing grey (standard)

Type	Voltage	Display	Art.-No.		
			24 V	115 V	230 V
MVs 16.23	DC (25 Hz)	6-digits	2.320.230.033	—	—
	AC (18 Hz)		2.320.230.061	2.320.230.064	2.320.230.066