

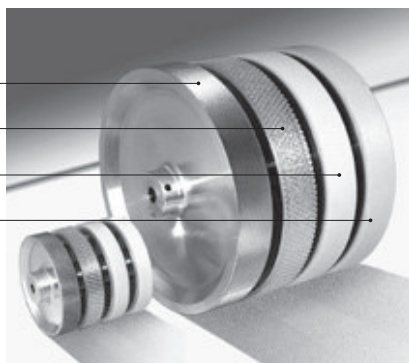
Linear measuring technology

Length measuring kits measuring wheels

Various wheel coatings

a

Diamond knurl	217 / 517
Tufted rubber	267 / 567
Plastic corrugated	297 / 597
Plastic smooth	247 / 547



Measuring wheels for measuring the length of products in movement, e.g. in the paper, metal, textile, wood or plastic industry.

Various tyres to meet the requirements of the various surfaces of the product to be measured – various diameters, designed for use with Kübler encoders, available for metric and imperial systems.

Selection of the measuring wheel profile according to the surface of the measured material

Surface of the measured material	Recommended profile no.
Cardboard	1, 2, 3, 4, 5
Wood	1, 2, 3, 4, 5
Textile	1, 2, 3, 4
Plastic (e.g. PVC, PE, ...)	2, 3, 4, 5
Paper	2, 3, 4, 5
Wire, greased metals, steel profiles, leather	2
Carpet, cables, nonwoven	3
Greased metals, glass, floor coverings	4
Painted surfaces	2, 4
Rubber, soft plastic	1

Please note:

If a measuring wheel is mounted directly on the shaft of a rotary encoder, the pressure force between the measuring wheel and measured material should not exceed the radial shaft load listed in the data sheet of the encoder.

In addition, the measuring wheels can only be used for in-house purposes which are not subject to the stipulations of the German calibration code.

Linear measuring technology

Order code

Measuring wheels

8.0000 . 3 XXX . 00 XX
a b

Measuring wheel Circumference / ϕ / width	Profile measuring wheels (s.o.)	Coating	Coating hard- ness Shore A	Wheel no. a	Weight	Standard bore b ¹⁾	Material of wheel body	Working temperature
0.2 m / ϕ 63.7 mm / 12 mm [7.87" / ϕ 2.51" / 0.47"]	1	diamond knurl (aluminium)		217	60 g [2.12 oz]	06 = 6 mm [0.24"] 10 = 10 mm [0.39"]	aluminium	-30°C ... +80°C [-22°F ... +176°F]
	2	plastic (polyurethane) smooth	90	247	60 g [2.12 oz]			
	3	tufted rubber (polyurethane)	60	267	60 g [2.12 oz]			
	4	plastic (polyurethane) corrugated	90	297	60 g [2.12 oz]			
0.5 m / ϕ 159.2 mm / 25 mm [19.69" / ϕ 6.27 / 0.98"]	1	diamond knurl (aluminium)		517	775 g [27.34 oz]	10 = 10 mm [0.39"]	aluminium	-30°C ... +80°C [-22°F ... +176°F]
	2	plastic (polyurethane) smooth	90	547	700 g [24.69 oz]			
	3	tufted rubber (polyurethane)	60	567	700 g [24.69 oz]			
	4	plastic (polyurethane) corrugated	90	597	700 g [24.69 oz]			
12" / ϕ 3.82" / 0.38"	5	natural rubber (NR) smooth		751	100 g [3.53 oz]	10 = 10 mm [0.39"]	aluminium	-30°C ... +80°C [-22°F ... +176°F]

1) Other bore diameters on request

Linear measuring technology

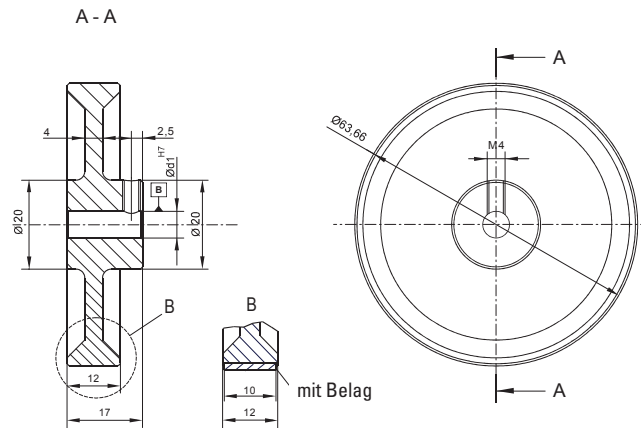
Length measuring kits measuring wheels

Various wheel coatings

Dimensions

Dimensions in mm [inch]

Measuring wheel no. 2XX



Measuring wheel no. 5XX

