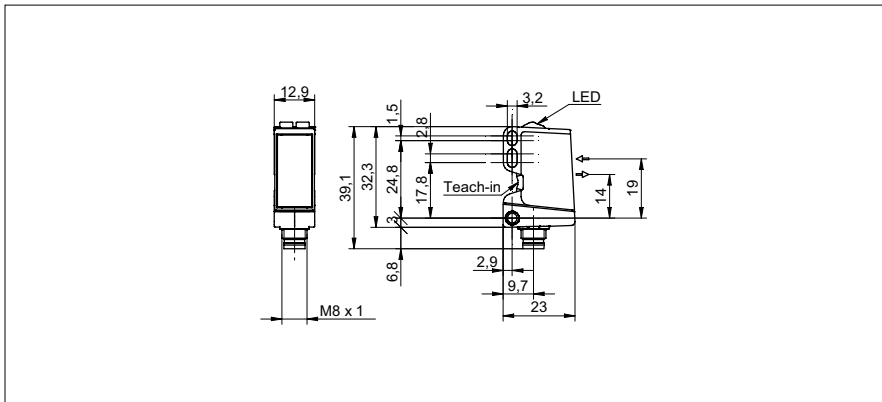


Retro-reflective sensors

O300.RP

sample drawing



general data

type	retro-reflective sensor
light source	pulsed PinPoint LED
polarization filter	yes
light indicator	LED yellow
power on indication	LED green
wave length	630 nm
suppression of reciprocal influence	yes
alignment optical axis	< 2°

actual range Sb = 3,5 m

version	transparency object detection
nominal range Sn	4 m
minimal signal attenuation	10 % / 20 % / 30 %

actual range Sb = 5 m

nominal range Sn	6 m
------------------	-----

electrical data

voltage supply range +Vs	10 ... 30 VDC
current consumption max. (no load)	35 mA
voltage drop Vd	< 3 VDC
output current	< 100 mA
short circuit protection	yes
reverse polarity protection	yes

mechanical data

width / diameter	12,9 mm
height / length	32,3 mm
depth	23 mm
type	rectangular
housing material	plastic (ASA, PMMA)
front (optics)	PMMA

ambient conditions

operating temperature	-25 ... +60 °C
protection class	IP 67

sample picture



Retro-reflective sensors
O300.RP

order reference	actual range Sb	connection types	output circuit	output function	response time / release time	sensitivity adjustment	current consumption typ.
O300.RP-11120107	5 m	cable 4 pin, 2 m	push-pull	light / dark operate	< 0,49 ms	qTeach / remote	25 mA
O300.RP-11110449	5 m	connector M8 4 pin	push-pull	light / dark operate	< 0,49 ms	qTeach / remote	25 mA
O300.RP-11143019	5 m	flylead connector M8, L=200 mm	push-pull	light / dark operate	< 0,49 ms	qTeach / remote	25 mA
O300.RP-11120129	5 m	flylead connector M12, L=200 mm	push-pull	light / dark operate	< 0,49 ms	qTeach / remote	25 mA
O300.RP-11120110	5 m	cable 4 pin, 2 m	NPN complementary	light / dark operate	< 0,49 ms	qTeach	25 mA
O300.RP-11110447	5 m	connector M8 4 pin	NPN complementary	light / dark operate	< 0,49 ms	qTeach	25 mA
O300.RP-11120112	5 m	cable 4 pin, 2 m	NPN	light / dark operate, alarm	< 0,49 ms	qTeach	25 mA
O300.RP-11110448	5 m	connector M8 4 pin	NPN	light / dark operate, alarm	< 0,49 ms	qTeach	25 mA
O300.RP-11120120	5 m	cable 4 pin, 2 m	PNP complementary	light / dark operate	< 0,49 ms	qTeach	25 mA
O300.RP-11110445	5 m	connector M8 4 pin	PNP complementary	light / dark operate	< 0,49 ms	qTeach	25 mA
O300.RP-11120121	5 m	cable 4 pin, 2 m	PNP	light / dark operate, alarm	< 0,49 ms	qTeach	25 mA
O300.RP-11110446	5 m	connector M8 4 pin	PNP	light / dark operate, alarm	< 0,49 ms	qTeach	25 mA
O300.RPT-11157331	3,5 m	cable 4 pin, 2 m	push-pull	light / dark operate	< 0,25 ms	Teach-in and IO-Link	30 mA
O300.RPT-11157334	3,5 m	connector M8 4 pin	push-pull	light / dark operate	< 0,25 ms	Teach-in and IO-Link	30 mA