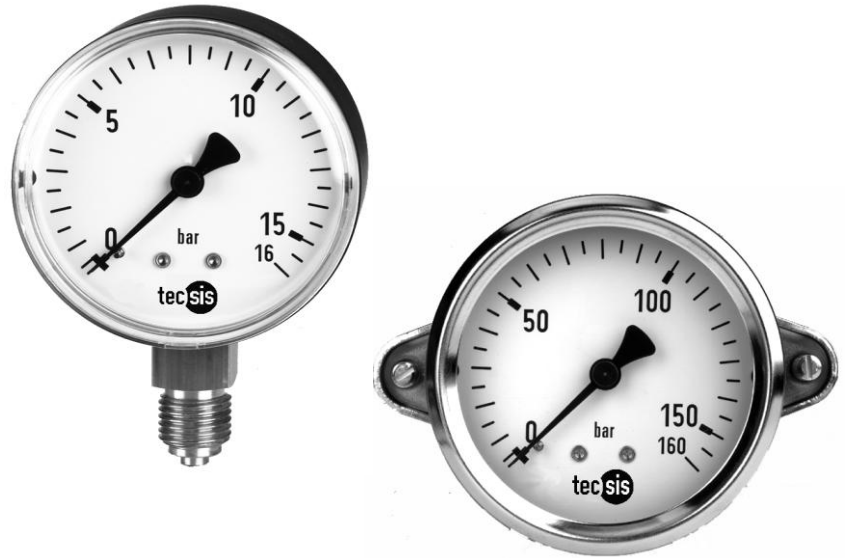


## Standard pressure gauges to EN 837-1

Nominal sizes NG 40, 50, 63

Connection position bottom, radial  
or back, central

Option:  
with triangular bezel or  
front mounting flange



### Description

Pressure gauges of the comprehensive standard can be used in all applications where liquid or gaseous media are not highly viscous and do not attack copper alloys or crystallize.

All standard pressure gauges comply with general international recommendations for measuring systems and take requirements for specific applications and technical standards into consideration.

### Features

- o Plastic case – ABS standard
- o Option: steel case
- o Copper alloy measuring system standard
- o Connection radial or back, central
- o Option: Panel mounting

### Measuring ranges

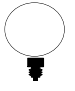
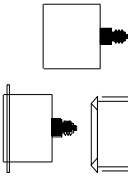
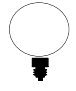
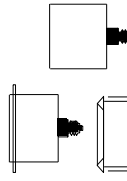

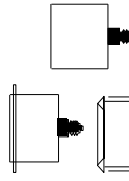
0 ... 0.6 bar to 0 ... 400 bar

### Applications

Building services, apparatus constructions  
Air-conditioning, Pneumatics, hydraulics,  
workshop equipment

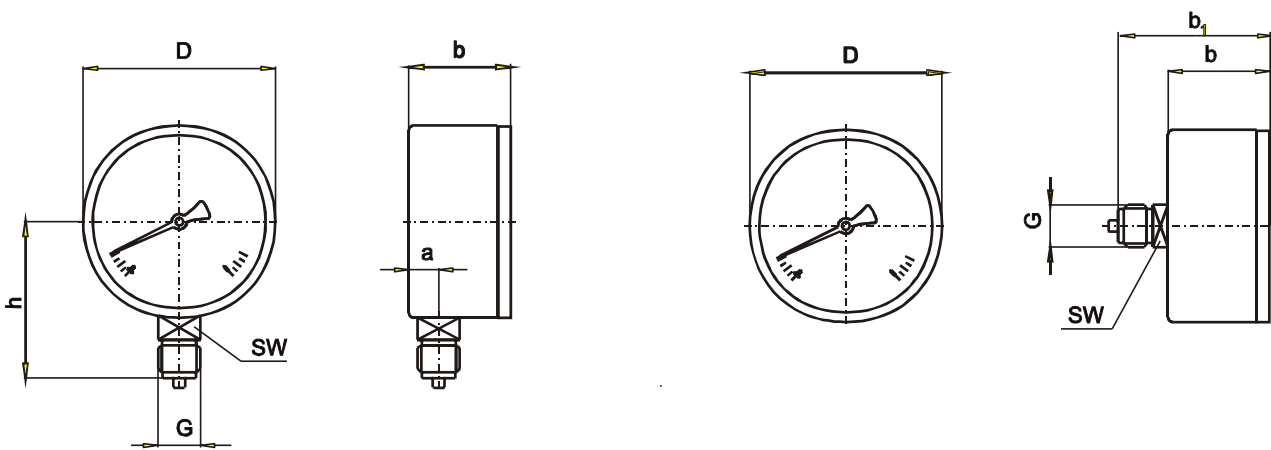
**Model: P1410, P1415, P1420,  
P1425, P1430, P1435**

## Technical data

Models	P1410	P1415		P1420	P1425		P1430	P1435		Options
Nominal size	40			50			63			
Symbol										
Accuracy class	2.5 to EN 837-1									1.6
Ranges	0...0.6 bar to 0...400 bar negative or positive, or negative and positive gauge pressure									
Application	Constant load: 3/4 x full scale value Alternating load: 2/3 x full scale value Short-time: full scale value									
Case	Plastic, highly shock resistant, black (ABS)									Steel, black finish, stainless steel, bright back flange
Bezel	none									Slip ring, steel or stainless steel Steel chrome plated, triangular bezel or front mounting flange Steel, black finish
Window	Plexiglas, convex, clipped-on									Glass lens <sup>1)</sup>
Dial	Plastic, white with stop pin, scale black									Aluminium, white
Pointer	Plastic, black									
Movement	CuZn alloy									
Measuring element	Cu alloy									
Pressure connection	CuZn-alloy									Surface: nickel plated
- position	radial bottom	central back	radial bottom	central back	radial bottom	central back				
- thread	G 1/8 B without pivot or G 1/4 B						G 1/4 B or R 1/4 DIN 2 999		Other connection on request	
Temperatures	- medium - ambient									Tmin. -40°C, Tmax. 60°C
- medium	Tmax. 60°C									
- ambient	Tmin. -20°C to Tmax. 60°C									
Temperature drift	0.4% /10 K if deviation from normal temperature 20°C									
Throttle	without									dia. 0.4 , dia. 0.6
Weight approx.	0.08 kg	0,07kg / 0,11kg		0.1 kg	0,08kg / 0,12kg		0.13kg	0,08kg / 0,14kg		

<sup>1)</sup> Only in combination with metal case and ring

## Dimensions



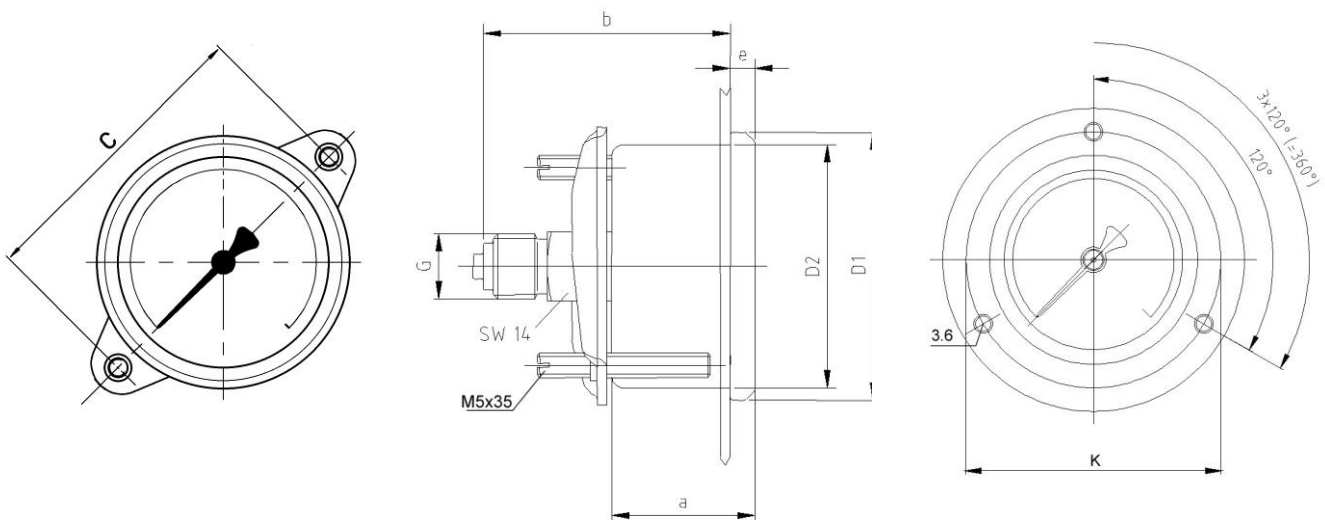
Model: P1410, P1420, P1430

Model: P1415, P1425, P1435

Model	Dimensions in mm							
	NG	$a \pm 0.5$	$b \pm 0.5$	$b1 \pm 0.5$	$D \pm 0.5$	G	$h \pm 1$	SW
P1410	40	9.6	26.2	--	39	G1/8 B	36	14
P1410	40	9.6	26.2	--	39	G1/4 B	40	14
P1415	40	--	26.2	41.8	39	G1/8 B	--	14
P1415	40	--	26.2	44.8	39	G1/4 B	--	14
P1420	50	9.6	27.3	--	49	G1/4 B	45	14
P1425	50	--	26.3	44.8	49	G1/4 B	--	14
P1430	63	9.6	27.4	--	62	G1/4 B	53.5	14
P1435	63	--	26.4	45	61.4	G1/4 B	--	14

Option: ① Steel-case with fixing bracket

② Steel-case with front mounting flange



Model: P1415, P1425, P1435

Model	Dimensions in mm											
	Option	ND	$a \pm 0.5$	$b \pm 0.5$	$C \pm 1$	$D1 \pm 0.5$	$D2 \pm 0.5$	$e \pm 0.5$	G	K	panel cut-out	
P1415	1	40	28.5	46.7	50	43	39	4.5	G1/4 B	-	$41.5 + 0.5$	
	2	40	28.5	41.8	-	-	40	4.5	G1/4 B	51	$44 \pm 0.3$	
P1425	1	50	29.3	50.3	61	55.5	49	4.9	G1/4 B	-	$51 \pm 0.5$	
	2	50	29	46.5	-	-	50	5	G1/4 B	60	$54 \pm 0.3$	
P1435	1	63	31.8	52.6	91	69	61.9	5	G1/4 B	-	$64.5 + 0.5$	
	2	63	31.5	47.6	-	-	63	5	G1/4 B	75	$67 \pm 0.3$	

Modifications reserved