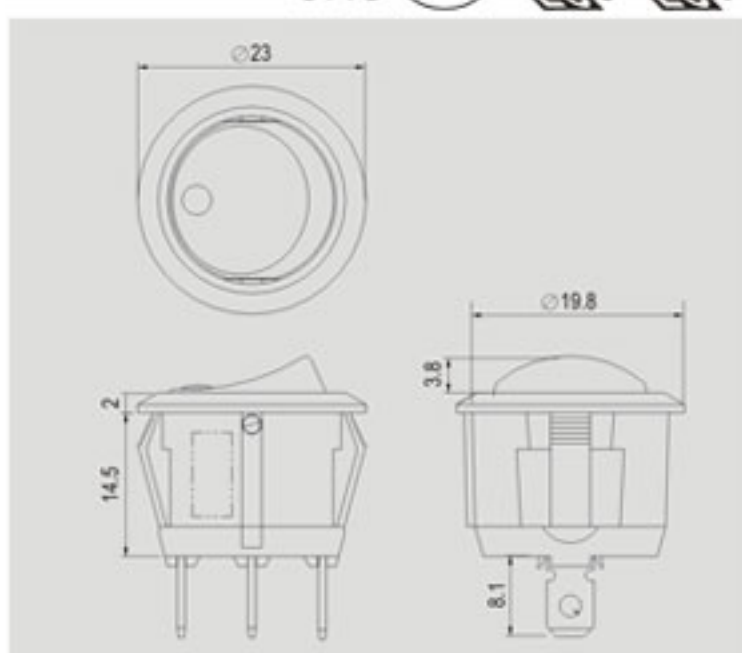
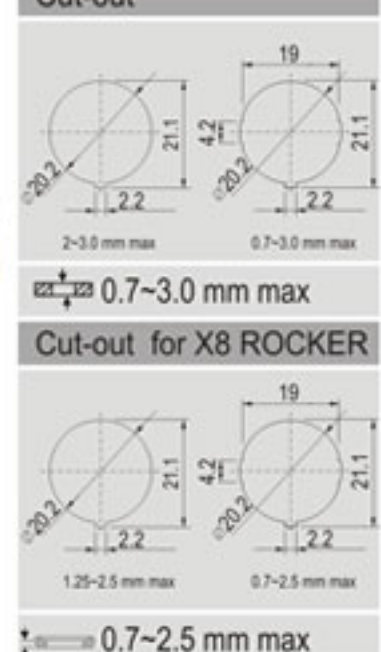


R13-112



Rating
16A 125V AC 10A 250V AC
Contact resistance
50mΩ Max
Insulation resistance
DC 500V 100MΩ Min
Dielectric strength
AC 1500V 1 minute
Cut-out



FEATURES

- * **MATERIAL:** Frames are nylon (UL flame: 94V-2). Terminals are silver plated brass.
- * Illuminated actuators are molded in PC, available with red, amber and green colors.
- * Snap-in mounting, easy to install switch into panel.
- * Waterproof cover is optional, except LP & BP type.
- * The dimension of frame is 14.5mm, for shorter one, please refer to page.1-51 item no. R13-208.

* R13-112B9, R13-112B9F: LED with PCB inside for AC rating.



Ordering number instruction

R13-112 - [] - []

FUNCTION				TERMINAL
Different button (按鈕不同) A 1 2 (ON) 2P SPST A 2 1 2 (ON) 2P SPST A 5 1 2 (ON) 2P SPST (Gloss Finish) A P 1 2 (ON) 2P SPST				0 2 .187" SQ
Illuminated / Different button (帶燈/按鈕不同) B 1 2 3 (ON) 3P SPST (NEON) B 2 1 2 3 (ON) 3P SPST (NEON) B 9 1 2 3 (ON) 3P SPST (W/O Lens) (LED) B 10 1 2 3 (ON) 3P SPST (LED) B P 1 2 3 (ON) 3P SPST (NEON)				
Momentary / Illuminated / Different button (彈回/帶燈/按鈕不同) B F 1 2 3 (ON) 3P SPST (NEON) B 2 F 1 2 3 (ON) 3P SPST (NEON) B 9 F 1 2 3 (ON) 3P SPST (W/O Lens) (LED)				
Different position / Different button (動作特性不同/按鈕不同) C 1 2 3 (ON) 3P SPDT C P 1 2 3 (ON) 3P SPDT D 1 2 3 (ON) OFF (ON) 3P SPDT D P 1 2 3 (ON) OFF (ON) 3P SPDT				
Momentary (彈回) E 1 2 (ON) 2P SPST (OFF) F 1 2 (ON) 2P SPST (OFF) G 1 2 3 (ON) 3P SPDT (ON) H 1 2 3 (ON) OFF (ON) 3P SPDT I 1 2 3 (ON) OFF (ON) 3P SPDT				
Independent circuit / Different button (獨立運路/按鈕不同) L 1 2 3 (ON) 4P SPST (LED) L P 1 2 3 (ON) 4P SPST (LED) L F 1 2 3 (ON) 4P SPST (LED)				
Waterproof (防水) A 8 1 2 (ON) 2P SPST B 8 1 2 3 (ON) 3P SPST (NEON) B 8 F 1 2 3 (ON) 3P SPST (NEON) C 8 1 2 3 (ON) 3P SPDT D 8 1 2 3 (ON) OFF (ON) 3P SPDT F 8 1 2 (ON) 2P SPST (OFF)				