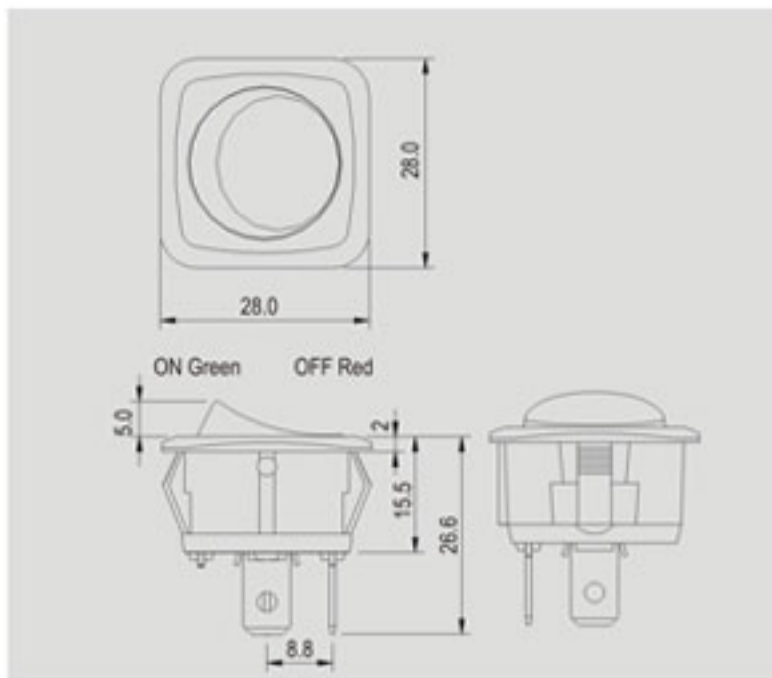
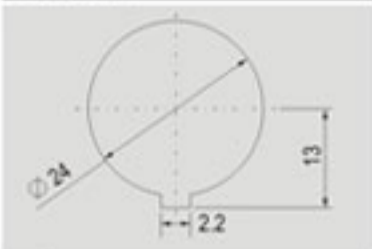


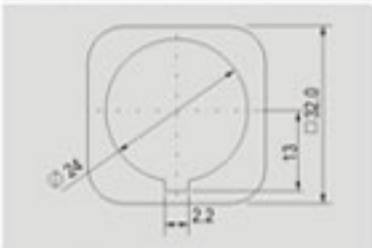
R13-203



Rating
16A 125V AC 10A 250V AC
Contact resistance
50mΩ Max
Insulation resistance
DC 500V 100MΩ Min
Dielectric strength
AC 1500V 1 minute
Cut-out



1~4.0 mm max
Cut-out for X8 ROCKER



1~3.0 mm max

FEATURES

- * MATERIAL: Frames are nylon (UL flame: 94V-2). Terminals are silver plated brass.
- * Illuminated actuators are molded in PC, available with red, amber and green colors.
- * Snap-in mounting, easy to install switch into panel.
- * New design AC LED.



Ordering number instruction

R13-203 [] [] [] - [] [] [] [] [] [] [] [] [] [] [] []

FUNCTION	ROCKER	TERMINAL
Illuminated / Different position (帶燈/動作特性不同) A 3P SPST (LED) ON (Green) OFF (Red) B 3P SPST (NEON) 125VAC 33KΩ / 250VAC 150KΩ C 4P SPDT (LED) ON (Green) ON (Red)	1 A,B,C, AL,CL 2 Laser mark AL,CL 3 A,C,AL,CL 4 A8,B8,C8	0 2 .187" SQ FRAME COLOR ROCKER COLOR LED COLOR_(ON,ON) LED COLOR_(OFF,ON) COLOR A AMBER B BLACK G GREEN C CLEAR R RED N NONE VOLTAGE 4 125VAC(110VAC) 5 250VAC(220VAC)
Different position (動作特性不同) A 2P SPST ON OFF C 3P SPDT ON ON		
Waterproof (防水) A 2P SPST ON OFF B 3P SPST (LED) ON OFF C 3P SPDT ON ON		ACTUATOR MARKING Optional legend on actuator, see page A4.