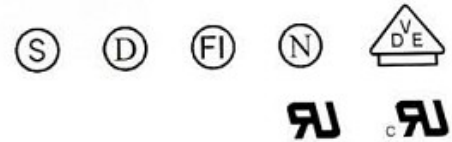
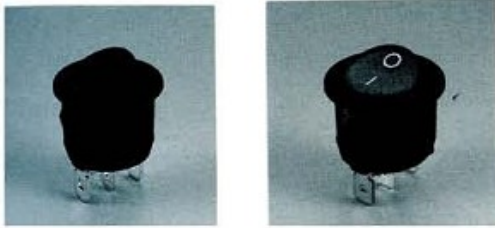


ROCKER SWITCHES – R17



■ Features

- Power switch conforms to safety standards for electrical equipment.
- Compact with a good space factor.
- Snap-in type for easy mounting.
- The color can be changed to correspond to the set design.
- Lamps for 125V and for 250V respectively for illuminating type.

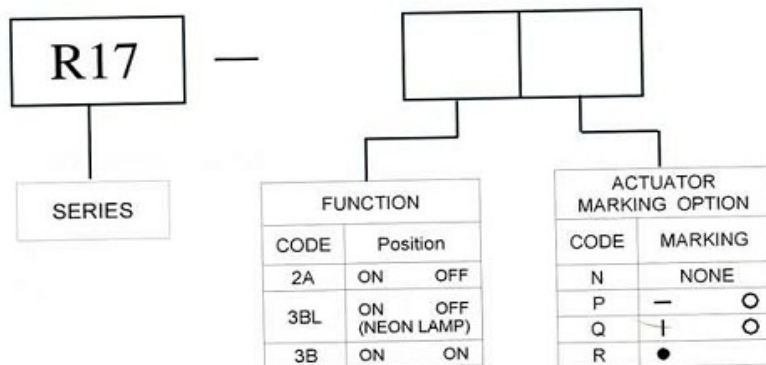
■ Characteristics

Item	Standard
Rating	10A 125VAC, 6A 250VAC
Insulation Resistance	100MΩ min (DC 500V)
Dielectric Strength	AC 1000V (50/60Hz for 1 minute)
Contact Resistance	50mΩ max.
Electrically Life	10,000 cycles
Operating Temperature Range	-25°C ~ +85°C
Operating Force	400±200 gf

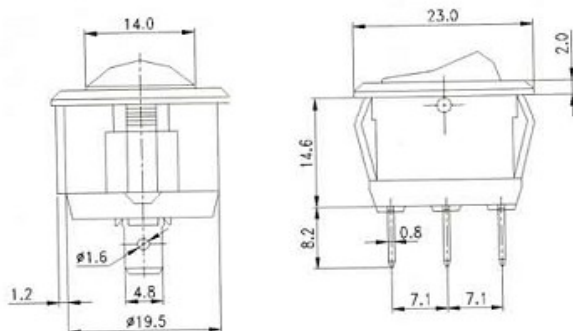
■ Applications

- Information and office equipment such as personal computers, word processors, facsimiles, monitors, etc.

■ Order Guide



■ Dimensions



■ Panel hole size

