

ROCKER SWITCH

Features

- Power switch conforms to safety standards for electrical equipment.
- Compact with a good space factor.
- Snap-in type for easy mounting.
- The color can be changed to correspond to the set design.



Applications

- Information and office equipment such as personal computers, word processors, facsimiles, monitors, etc.
- Specifications

Specifications

Item	Standard
Rating	10A 125VAC / 6A 250VAC, 4A 125VAC / 2A 250VAC
Insulation Resistance	100MΩ min (DC 500V)
Dielectric Strength	AC 1500V (50/60Hz for 1 minute)
Contact Resistance	50mΩ max. (initial)
Electrically Life	10,000 cycles
Operating Force	400±200 gf

Product Selection

SERIES	FUNCTION	ACTUATOR MARKING OPTION
R9		
CODE	ACTUATOR MARKING	CODE MARKING
2□A	ON OFF	N NONE
3□B	ON ON	P — ○
2□C	(ON) — OFF	Q ○
3□D	ON — OFF — ON	R ●
3□E	(ON) — ON	S ○
3□F	(ON) — OFF — (ON)	T ON OFF
2□AL	ON OFF (With LED)	
32ALP	ON OFF (With Lamp)	

PANEL HOLE SIZE		
PANEL THICKNESS	DIM. X	DIM. Y
0.75 ~ 1.25	19.2	13.0
1.25 ~ 2.0	19.4	13.0
2.0 ~ 3.0	19.6	13.0

Terminal Type

TERMINAL TYPE					
CODE	TERMINAL	CODE	TERMINAL	CODE	TERMINAL
2 Quick Connector		3 Soldering		4 PCB	

HIGHLY

F1

Design, specifications are subject to change without notice.

ROCKER SWITCH

Dimensions

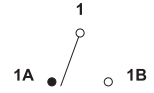
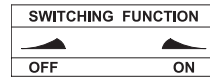
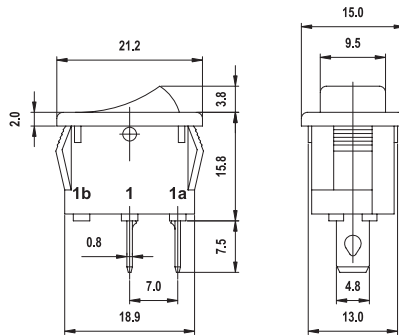
Unit: mm

Item

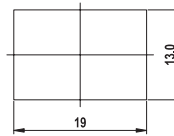
Operating Characteristics

Dimensions

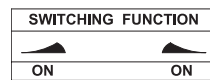
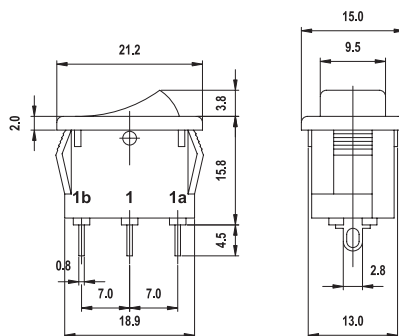
R9-22A



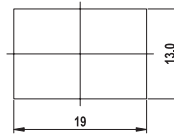
Panel hole size



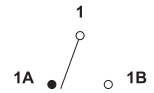
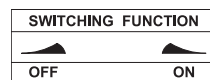
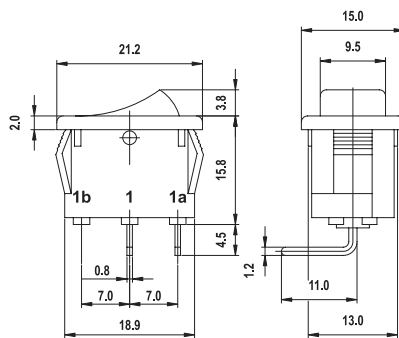
R9-33B



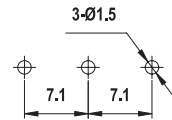
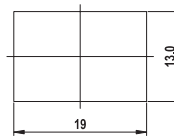
Panel hole size



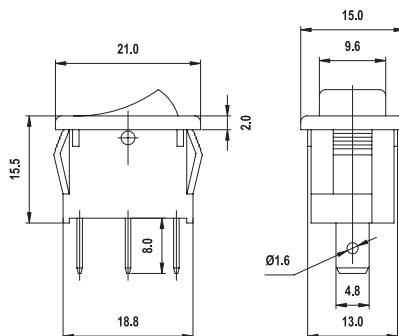
R9-24A



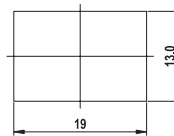
Panel hole size



R9-32F



Panel hole size



HIGHLY

F2

Design, specifications are subject to change without notice.