

# ROCKER SWITCH

## Features

- Power switch conforms to safety standards for electrical equipment.
- Compact with a good space factor.
- Snap-in type for easy mounting.
- The color can be changed to correspond to the set design.



**E88392** 

## Applications

- Information and office equipment such as personal computers, word processors, facsimiles, monitors, etc.

## Specifications

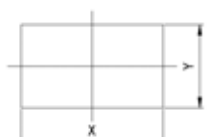
### ITEM

### STANDARD

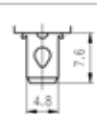
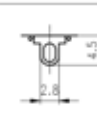
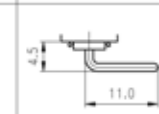
Rating	10A 125V AC/ 6A 250V AC, 4A 125VAC/2A 250VAC
Insulation Resistance	100M $\Omega$ min (DC 500V)
Dielectric Strength	AC 1500V (50/60Hz for 1 minute)
Contact Resistance	50m $\Omega$ max.
Electrically Life	10,000 cycle
Operating Force	400 $\pm$ 200 gf

## Product Selection

**R9** —

SERIES	FUNCTION	ACTUATOR MARKING OPTION	PANEL HOLE SIZE																																														
R9	<table border="1"> <thead> <tr> <th>CODE</th> <th>FUNCTION</th> </tr> </thead> <tr> <td>2 <input type="checkbox"/> A</td> <td>ON OFF</td> </tr> <tr> <td>3 <input type="checkbox"/> B</td> <td>ON ON</td> </tr> <tr> <td>2 <input type="checkbox"/> C</td> <td>ON OFF ON</td> </tr> <tr> <td>3 <input type="checkbox"/> D</td> <td>(ON - OFF)</td> </tr> <tr> <td>3 <input type="checkbox"/> E</td> <td>(ON) - ON</td> </tr> <tr> <td>3 <input type="checkbox"/> F</td> <td>(ON)-OFF-(ON)</td> </tr> <tr> <td>2 <input type="checkbox"/> AL</td> <td>ON OFF (With LED)</td> </tr> <tr> <td>32ALP</td> <td>ON OFF (With Lamp)</td> </tr> </table>	CODE	FUNCTION	2 <input type="checkbox"/> A	ON OFF	3 <input type="checkbox"/> B	ON ON	2 <input type="checkbox"/> C	ON OFF ON	3 <input type="checkbox"/> D	(ON - OFF)	3 <input type="checkbox"/> E	(ON) - ON	3 <input type="checkbox"/> F	(ON)-OFF-(ON)	2 <input type="checkbox"/> AL	ON OFF (With LED)	32ALP	ON OFF (With Lamp)	<table border="1"> <thead> <tr> <th>CODE</th> <th>MARKING</th> </tr> </thead> <tr> <td>N</td> <td>NONE</td> </tr> <tr> <td>P</td> <td>— ○</td> </tr> <tr> <td>Q</td> <td>  ○</td> </tr> <tr> <td>R</td> <td>●</td> </tr> <tr> <td>S</td> <td>  ○   </td> </tr> <tr> <td>T</td> <td>z ○ ll ○</td> </tr> </table>	CODE	MARKING	N	NONE	P	— ○	Q	○	R	●	S	○	T	z ○ ll ○	 <table border="1"> <thead> <tr> <th>PANEL THICKNESS</th> <th>DIM. X</th> <th>DIM. Y</th> </tr> </thead> <tr> <td>0.75 ~ 1.25</td> <td>19.2</td> <td>13.0</td> </tr> <tr> <td>1.25 ~ 2.0</td> <td>19.4</td> <td>13.0</td> </tr> <tr> <td>2.0 ~ 3.0</td> <td>19.6</td> <td>13.0</td> </tr> </table>			PANEL THICKNESS	DIM. X	DIM. Y	0.75 ~ 1.25	19.2	13.0	1.25 ~ 2.0	19.4	13.0	2.0 ~ 3.0	19.6	13.0
CODE	FUNCTION																																																
2 <input type="checkbox"/> A	ON OFF																																																
3 <input type="checkbox"/> B	ON ON																																																
2 <input type="checkbox"/> C	ON OFF ON																																																
3 <input type="checkbox"/> D	(ON - OFF)																																																
3 <input type="checkbox"/> E	(ON) - ON																																																
3 <input type="checkbox"/> F	(ON)-OFF-(ON)																																																
2 <input type="checkbox"/> AL	ON OFF (With LED)																																																
32ALP	ON OFF (With Lamp)																																																
CODE	MARKING																																																
N	NONE																																																
P	— ○																																																
Q	○																																																
R	●																																																
S	○																																																
T	z ○ ll ○																																																
PANEL THICKNESS	DIM. X	DIM. Y																																															
0.75 ~ 1.25	19.2	13.0																																															
1.25 ~ 2.0	19.4	13.0																																															
2.0 ~ 3.0	19.6	13.0																																															

## Terminal Type

TERMINAL TYPE					
CODE	TERMINAL	CODE	TERMINAL	CODE	TERMINAL
2 PIN		3 Soldering		4 PCB	

HIGHLY


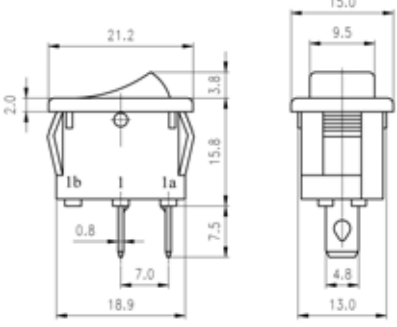



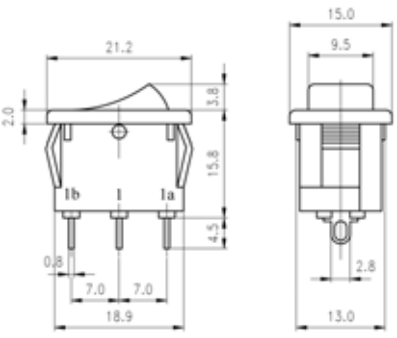



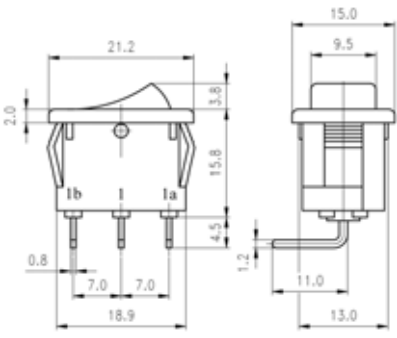

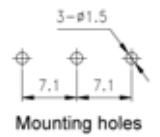
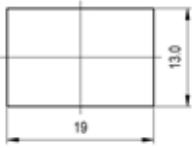

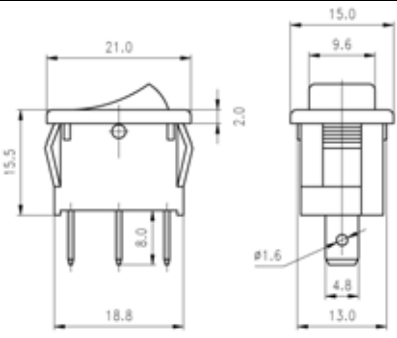


F1

Design, specifications are subject to change without notice.

# ROCKER SWITCH

## Dimensions

UNIT:mm

Item NO.	Dimensions	Function	Circuit												
<b>R9-22A</b> 		<table border="1"> <tr><th colspan="2">SWITCHING FUNCTION</th></tr> <tr><td>OFF</td><td>ON</td></tr> </table>	SWITCHING FUNCTION		OFF	ON									
SWITCHING FUNCTION															
OFF	ON														
															
<b>R9-33B</b> 		<table border="1"> <tr><th colspan="2">SWITCHING FUNCTION</th></tr> <tr><td>ON</td><td>ON</td></tr> </table>	SWITCHING FUNCTION		ON	ON									
SWITCHING FUNCTION															
ON	ON														
															
<b>R9-24A</b> 		<table border="1"> <tr><th colspan="3">SWITCHING FUNCTION</th></tr> <tr><td>ON</td><td>NONE</td><td>ON</td></tr> </table>	SWITCHING FUNCTION			ON	NONE	ON	 						
SWITCHING FUNCTION															
ON	NONE	ON													
															
<b>R9-32F</b> 		<table border="1"> <tr><th colspan="3">SWITCHING FUNCTION</th></tr> <tr><th>CODE</th><th>ON</th><th>OFF</th></tr> <tr><td>OFF</td><td>ON</td><td>OFF</td></tr> <tr><td>ALP</td><td>ON</td><td>OFF (With LAMP)</td></tr> </table>	SWITCHING FUNCTION			CODE	ON	OFF	OFF	ON	OFF	ALP	ON	OFF (With LAMP)	
SWITCHING FUNCTION															
CODE	ON	OFF													
OFF	ON	OFF													
ALP	ON	OFF (With LAMP)													
															

HIGHLY

F2

Design, specifications are subject to change without notice.