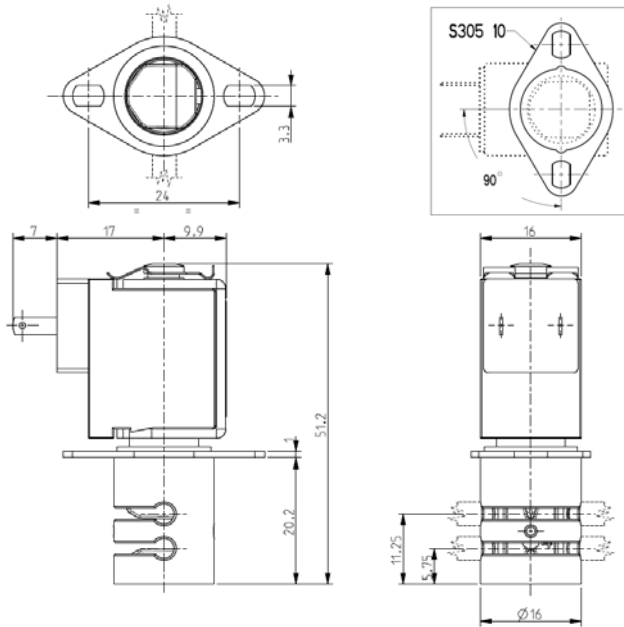




PINCH SOLENOID VALVE

3/2 – NC (Normally closed) – NO (Normally open)

S305



► **GENERAL FEATURES**

Pinch solenoid valve, suitable to shut off media without producing neither turbulent flows, nor dead spaces.
 One tubing is normally closed (NC) while the other one is normally open (NO).
 High flow rate under the same conditions of internal diameter of different solenoid valves; the system allows a bi-directional through flow.
 The valves are suitable for soft SILICONE tubings or others, similar as to elasticity and hardness (50 shore A).

The tubing is the only material in contact with the fluid.
 The tubings are not included in our supply.

► **INSTALLATION**

Solenoid valve can be mounted in any position.

► **MATERIALS**

Body Anodized aluminum
Pinching device POM (reinforced acetal copolymer)
Internal components Stainless steel
Core tube Chemically nickel coated brass (Ni-P).

► **COIL**

Duty S305-09 – S305-06: ED 100%
 S305-07 – S305-08 – S305-10: see note 3.
Encapsulation material PA (Polyamide) fiberglass reinforced
Insulation class F (155°C)
Ambient temperature -10°C +60°C
Electric connection DIN 46340
Protection degree IP 40 (EN 60529) with female wire terminals 2,8x0,5 totally insulated
Voltages 12-24V (+10% -5%)
 (Other voltages on request).

TUBINGS		Tubing minimum wall thickness (mm)	Pinching strength (kg)	Series and type		Power absorption (W)	Notes	Weight (kg)
I.D. (mm)	O.D. (mm)			Valve	Coil			
0,76	1,65	0,4	0,120	S305-09	ZE30A	4	0,050	
1,02	2,16	0,5	0,180	S305-06				
1,57	3,18	0,7	0,220	S305-07	ZE30H	8		
				S305-10				
1,98		0,5	0,180	S305-08	ZE30F	6		

► **NOTE**

- If the soft tubings are different from the ones indicated, it's important that the tubing minimum wall thickness is the same as shown in the table.
- In case the tubing is not placed in its seat, the solenoid valve could operate incorrectly.
- 1 - For the use of a soft tubing with outside diameter smaller than 2,2mm, it is necessary to install the tubing guide sleeve (drawing K29501).
- 2 - Model available on request only: ask for minimum quantity.
- 3 - S305-07 and S305-08 with coil for discontinuous duty: see the relative charts overleaf.
- 4 - 90° turned clamp (see drawing)

COILS FOR DISCONTINUOUS DUTY - LIMIT CONDITIONS OF USE - (ambient temperature +25°C and Vn)

