

QUICK START

SC300 Safety camera system

Rockwell Automation
2 Executive Drive
Chelmsford, MA 01824
10000222627 Ver 00
January 2012
Printed in Germany • All rights reserved



On safety



- Safety notes**
- Only use the safety camera system in suitable applications that do not exceed the maximum data in the technical specifications, in particular for aspect ratio and size of the area to be protected.
 - This device manual must be given to the operator of the device together with the original operating instructions for the corresponding SC300.
 - The SC300 safety camera system shall be used only by qualified personnel and only on the machine where it has been installed and initialized by qualified safety personnel in accordance with the operating instructions. It is only permitted to be used on machines on which the dangerous state can be stopped immediately by the safety camera system and/or it is possible to prevent the machine being placed into operation.

The manufacturer herewith declares that the product SC300 complies with the stipulations in the related EC directive(s), and that the related standards have been applied. You can obtain the EC declaration of conformity with used standards at: www.rockwellautomation.com

Device components

Note: In addition to the safety camera system, you will require one of the resolution sets.

Part	Cat. No.
Camera, teach-in pin and documentation • SC300 safety camera documentation	442L-SAFCAM1
Resolution kit (reflective tape and test rod) • Resolution 20 mm (0.4...1.0 m)	442L-ACAM20MMKIT
• Resolution 24 mm (0.4...1.2 m)	442L-ACAM24MMKIT
• Resolution 30 mm (0.6...1.5 m)	442L-ACAM20MMKIT

About this document

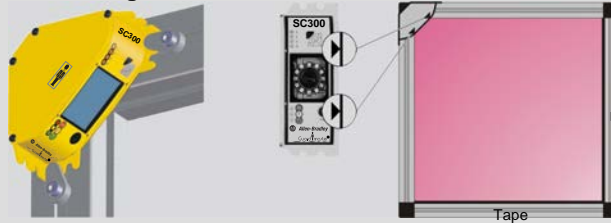
This document is only valid in conjunction with the original operating instructions (Rockwell Automation 10000202762 Ver 00) for the corresponding SC300 safety camera referred to in the following as SC300 for short.

Status indicators

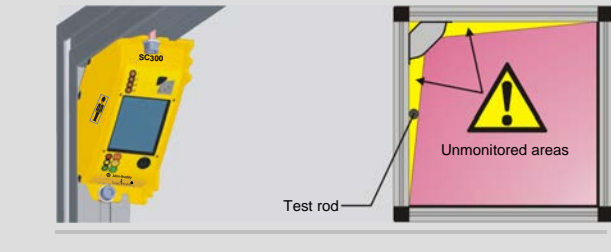
Status LED	Meaning
	OSSDs switched off (e.g. for object in protective field or "lock-out")
	OSSDs activated. Protective field unoccupied
	No valid configuration taught-in (default delivery status) >> Perform the teach-in procedure (see operating instructions). Even flashing: Reset required >> Press the reset button.
	Warning >> Carry out a fault diagnosis.
	Error >> Carry out a fault diagnosis.

Diagnostics LED	Meaning
	Protective field sector free
	Interruption of the protective field in the allocated protective field sector. A protective field sector represents one quarter of the field of view of the SC300.
	Teach-in mode (see operating instructions)
	Warning (see "Fault diagnosis")
	Error (see "Fault diagnosis")

1 Mounting of the camera



- Avoid mounting in a frame!**
In the case if mounting in a frame, due to the principle of operation unmonitored areas will be produced through which an operator could reach the hazardous point (see operating instructions).
>> Protect unmonitored areas using mechanical guards.



Fault diagnosis

The procedure for troubleshooting varies for warnings and errors only in the last step: If there is an error, you must re-start the SC300 after rectification.

Diagnostics LEDs	Meaning	Rectification of the error
1 2 3 4	= LED off; = LED flashing slowly; = The LED flashes with a short duty cycle	
	Warning	>> Check the contactor. Replace, if necessary.
	Error	>> Check the wiring for short-circuits or cross-circuits.
	Warning	>> Check the contactors and their wiring, eliminate any wiring errors, if necessary.
	Error	>> Switch the device off and back on again. Check the configuration of the external device monitoring.
	Warning	>> Check the reset button for correct function. The button may be defective or stuck.
	Error	>> Check the wiring of the reset button for any short-circuit to 24V.
	Warning	>> Check the connection of the external key-operated pushbutton for teach-in.
	Error	>> Disconnect the supply voltage to the SC300 for at least 3 seconds. >> If the problem persists, replace the unit.

System data

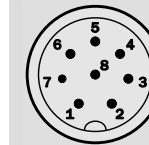
Suitable up to ...	SC300
Category/Performance Level (EN ISO 13849-1)	3/PL d
Type (EN 61 496-1, IEC/TR 61 496-4)	3
Safety integrity level (IEC 61 508/EN 62 061)	SIL2/SILCL2

2 Mounting the reflective tape



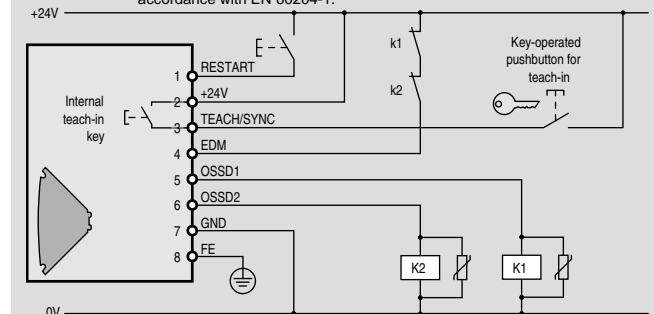
3 Electrical installation

Pin assignment



Pin	Color	Signal
1	White	RESTART
2	Brown	+24 V SELV ¹⁾
3	Green	TEACH/SYNC
4	Yellow	EDM
5	Grey	OSSD1
6	Pink	OSSD2
7	Blue	GND
8	-	FE

Example: SC300 with external device monitoring (EDM), with internal restart interlock and with external key-operated pushbutton for teach-in (For further examples: see operating instructions)
1) To comply with the requirements of the relevant product standards (e.g., EN 61496-1), the external voltage supply for the devices must be provided using power supplies in accordance with EN 60204-1.



4 Teach-in and test



- Teach-in and test: Only by qualified and authorized safety personnel!
>> Read and follow the operating instructions!

Teach-in procedure:

- >> Actuate for approx. 5 seconds (flashes 5 times)
- >> Release for approx. 2 seconds (flashes 2 times)
- >> Actuate for approx. 5 seconds (flashes 5 times)

Checks of the protective device:

- >> Test the protective device as per the instructions on the "Important Information" label (attached in the immediate vicinity) or in the operating instructions.

