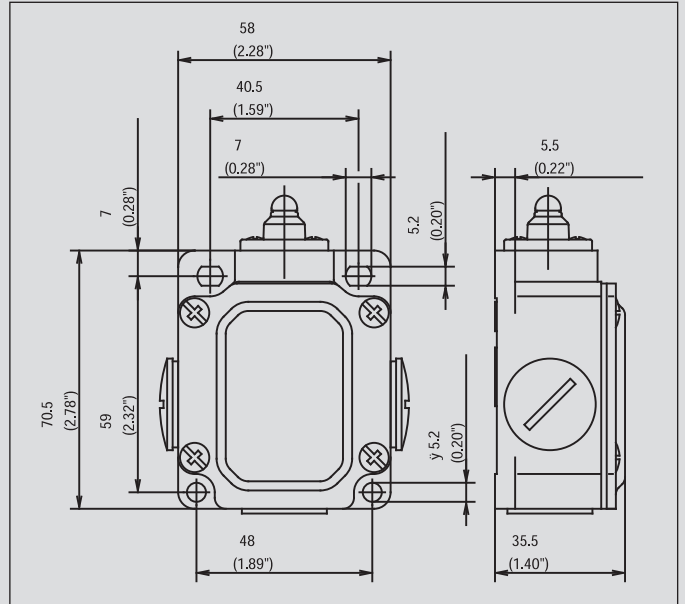


# Metal-Enclosed Limit Switches

## SN2



### Recommended use

With its three cable entries and spacious connection area, the SN2 limit switch is the optimum solution for through-wiring or even branching off electrical circuits.

### Product advantages

- Protection class IP 65 to VDE 0470 T1
- Enclosure: Aluminium pressure die-casting
- Cover: Sheet aluminium
- Actuator can be repositioned by 4 x 90°
- Cable entry 3x M20 x 1.5
- Connection designation conforming to DIN EN 50013
- Metal actuators for high loads
- Graduated adjustment of AH lever
- Selectable direction-dependent contact-making of AH actuator (basic setting: contact-making both sides)

### Options

- AS interface versions on request
- Preassembled with customer-specific cables and connectors on request

### Design layout

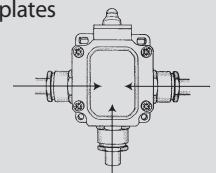
- Slow-action and snap-action contacts
- Versions: 1 NC / 1NO, 2 NC
- All NC contacts with  $\ominus$  in the circuit diagram are positively opening contacts
- Type: Zb (galvanically isolated changeover contact)
- Latching function on request

### Mounting

- 2 adjustment slots for M5 screws
- 2 addition holes for M5 mounting screws in safety applications

### Installation advantages

- 3 cable entries for through-wiring
- Generously dimensioned connection space
- Screw connections with self-lifting clamping plates
- Easy-to-change switching system thanks to snap-in retainer
- Finely adjustable switching point with adjusting screw

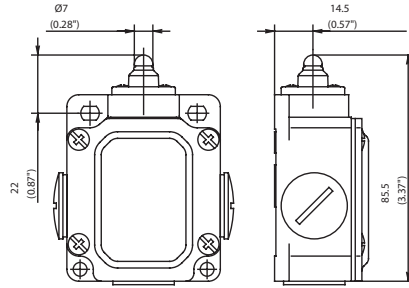


### Technical data

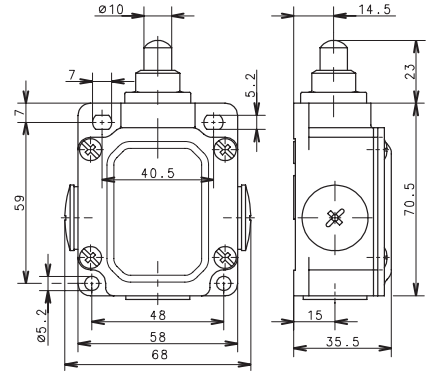
Electrical data		
Rated insulation voltage	$U_i$ max.	400 V AC
Conventional thermal current	$I_{the}$	10 A
Rated operating voltage	$U_e$ max.	240 V
Utilization category		AC-15, A300, $U_e/I_e$ 240 V/3 A
Short-circuit protection (up to) <sup>①</sup>		Fuse 10 A gL/gG
Protection class		I
Mechanical data		
Enclosure material		Aluminium pressure die-casting
Ambient temperature		-30 °C to + 80 °C
Mechanical service life		10 x 10 <sup>6</sup> switching cycles
B10d (up to) <sup>①</sup>		20 Mill.
Switching frequency		max. 100/min.
Type of connection		Screw connections
Conductor cross sections		Single-wire 0.5 – 1.5 mm <sup>2</sup> or Stranded wire with ferrule 0.5 – 1.5 mm <sup>2</sup>
Cable entry		3 x M20 x 1.5
Protection class		IP 65 conforming to EN 60529, DIN VDE 0470 T1
Standards		
conforming to EN 60947-1; EN 60947-5-1		

<sup>①</sup> Depending on switching system. See Table on Pages 70 – 73.

**W**



**LIW**



**Switching operation**

**Slow-action**

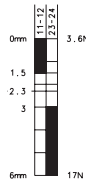
**Snap-action**

**Slow-action**

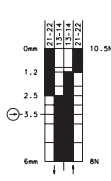
**Snap-action**

**1 NC / 1 NO contact**

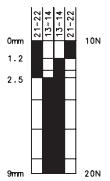
**6033103023**  
SN2-U1Z W



**6033353016**  
SN2-SU1Z W



**6033194022**  
SN2-SU1 LIW



**2 NC contacts**

**2 NO contacts**

**1 NC / 1 NO contact  
Overlapping**

**Approvals**



**Replacement actuator: 3913030537**

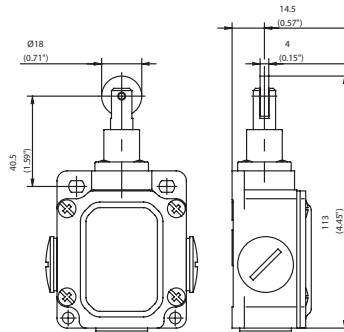
**Replacement actuator: 3912440536**

**Special features / variants**  
(on request)

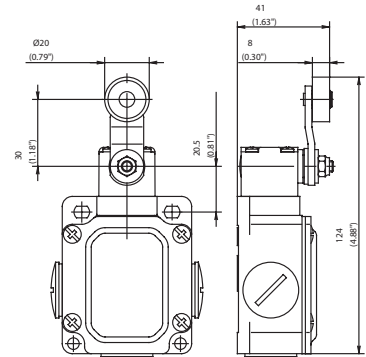
**Special features / variants**

- Telescopic plunger, particularly long actuation travel of 9 mm

## RIW



## AHS



### Switching operation

1 NC / 1 NO contact

2 NC contacts

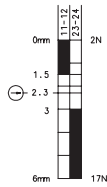
2 NO contacts

1 NC / 1 NO contact  
Overlapping

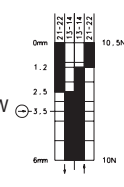
### Slow-action

### Snap-action

6033117025  
SN2-U1Z RIW



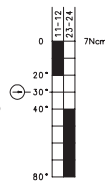
6033367017  
SN2-SU1Z RIW



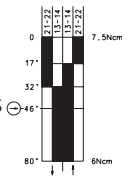
### Slow-action

### Snap-action

6033135002  
SN2-U1Z AHS



6033385018  
SN2-SU1Z AHS



Approvals



Replacement actuator: 3918170587

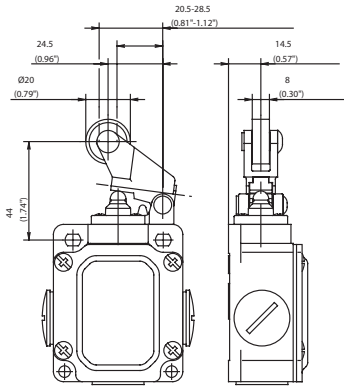
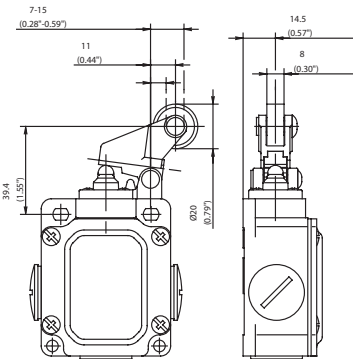
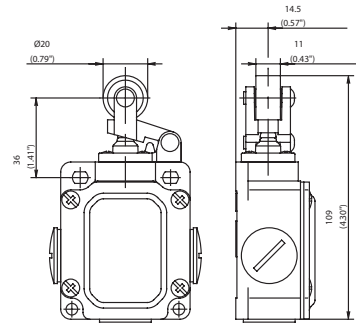
Replacement actuator: 3913351913

### Special features / variants (on request)

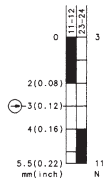
- Available with different actuating directions
- With latching function

### Special features / variants (on request)

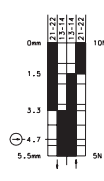
- Available with different actuating directions

**DGHW**

**DGKW**

**HW**

**Slow-action**
**Snap-action**

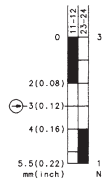
**6033121005**  
SN2-U1Z  
DGHW



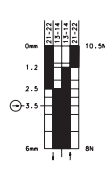
**6033371004**  
SN2-SU1Z  
DGHW


**Slow-action**
**Snap-action**

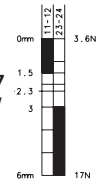
**6033127010**  
SN2-U1Z  
DGKW



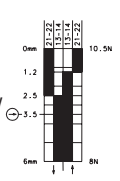
**6033377011**  
SN2-SU1Z  
DGKW


**Slow-action**
**Snap-action**

**6033121007**  
SN2-U1Z HW



**6033371006**  
SN2-SU1Z HW



Replacement actuator: 3918211656

**Special features / variants**  
(on request)

- Available with different actuating directions



Replacement actuator: 3918271655

**Special features / variants**  
(on request)

- Available with different actuating directions

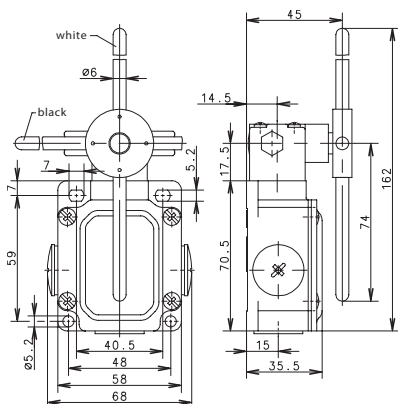


Replacement actuator: 3913210553

**Special features / variants**  
(on request)

- Available with different actuating directions

AD4K



Switching operation

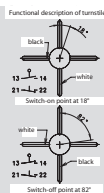
Slow-action

Snap-action

1 NC / 1 NO contact

2 NC contacts

6133887022  
SN2-SA2Z  
AD4K



2 NO contacts

1 NC / 1 NO contact  
Overlapping

Approvals

Replacement actuator: 3913371712  
without screws,  
without seals  
3992000042  
accessory bag  
(40 screws,  
10 seals)

Special features / variants  
(on request)