

# ROCKER SWITCH

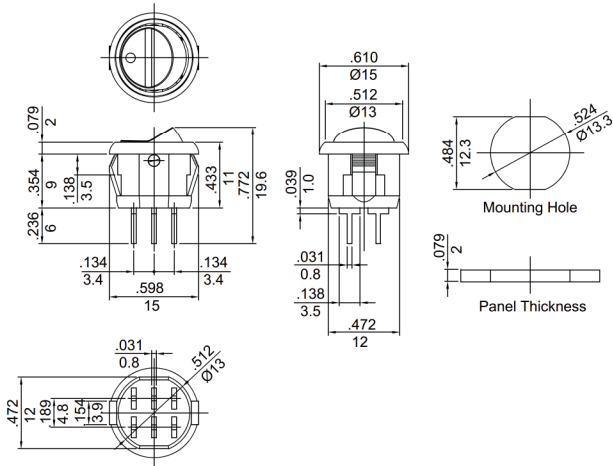
## SW-273 SERIES

### RATING

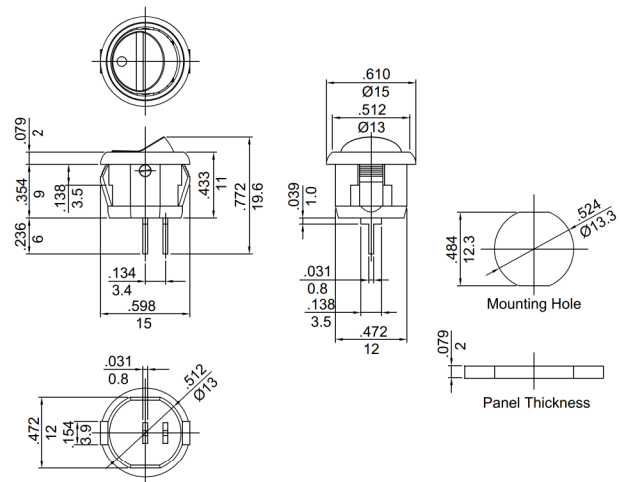
- 3A 125VAC / 1.5A 250VAC
- Initial contact resistance: 20m Ohms max.
- Insulation resistance: 50M Ohms min. at 500VDC
- Dielectric strength: 1,500 VAC for 1minute.
- Electrical life: 30,000 cycles

### FEATURES

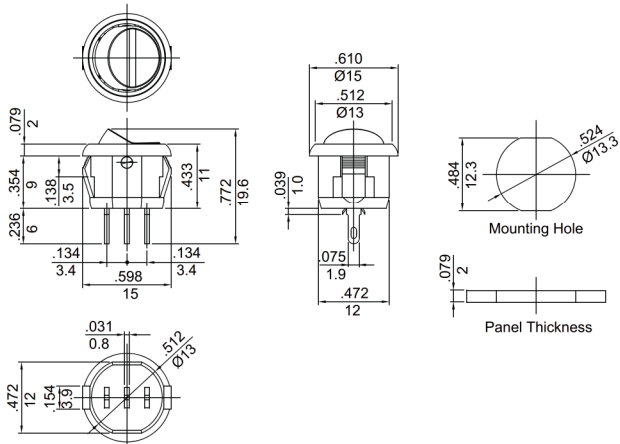
- SPST, SPDT, DPDT
- Dia. 13.3mm round snap-in cutout size
- PC terminals (P/N without "A") or solder terminals (P/N with "A")



SW-2736



SW-2737



SW-2738A

