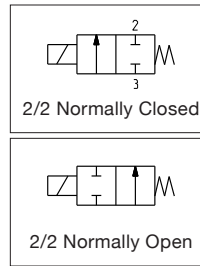


LEVER SOLENOID FLUID ISOLATION VALVES WITH THREADED CONNECTIONS



- Lever mechanism isolation valves designed for use with aggressive and corrosive liquids and gases in analytical instrumentation and the chemical manufacturing industries
- Large orifice sizes make these valves ideal for high flow-rate and high pressure applications
- Ideally suited for quickly flushing systems of corrosive media and routing aggressive reagents to chemical reaction vessels and waste containers
- Available in both 3-Way normally closed, normally open and universal versions, as well as 2-Way normally closed and normally open versions; each with multiple connection options
- Meets all relevant CE directives, and is RoHS compliant
- Typical applications include:
 - Raw-material Chemical Manufacturing
 - Chip/Wafer Manufacturing
 - Pharmaceutical
 - Waste Water Treatment



Fluids*	Temperature Range	Seal Materials*
Air, Inert Gases, Filtered Water, Oil or Liquids	-10 °C to 100 °C (14 °F to 212 °F)	VMQ (silicone) EPDM (ethylene-propylene)

* Ensure that the compatibility of the fluids in contact with the materials is verified

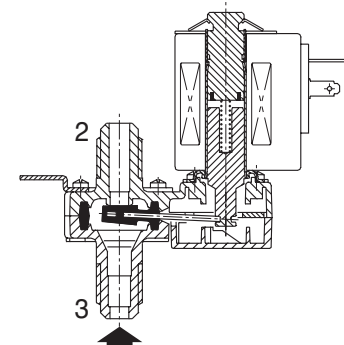
General Valve Information		
Body	G1/4: PEI (polyetherimide)	G1/2: PPS (polyphenylene sulphide)
Seals	VMQ, EPDM or FKM	
Response Time	~ 25ms	
Max. Viscosity	37 cSt (mm ² /s)	

Electrical Characteristics	
Coil Insulation Class	F
Connector	Spade plug (cable Ø6-10mm)
Connector Specification	ISO 4400/EN 175301-803, form A
Electrical Safety	IEC 335
Electrical Enclosure Protection	Molded IP65 (EN 60529)
Standard Voltages ¹	12 VDC, 24 VDC AC ~: 24V to 115V to 230V/50 Hz

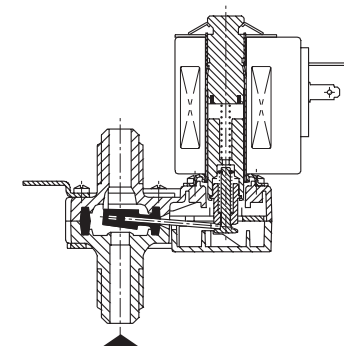
¹ Other voltages and 60 Hz on request

Prefix Option	Power Ratings				Ambient Temperature Range °C (°F)	Replacement Coil		Type ¹
	Inrush	Holding	Hot/Cold			230 V/50 Hz	24 VDC	
	VA	VA	W	W				
SC	23	14	6	9	-10 to 60 (14 to 140)	43005149	43005144	01 (AMX)
	44	24	8	13	-10 to 60 (14 to 140)	43005320	43005317	02 (FNX)

¹ Refer to the dimensional drawings on the following page



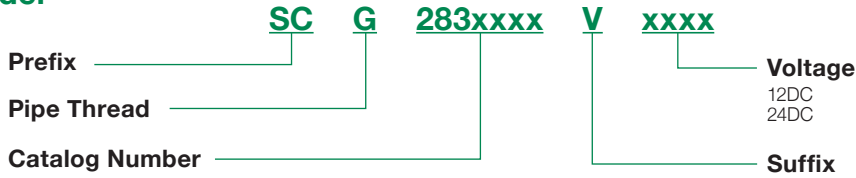
Function 2/2 NC



Function 2/2 NO

Specifications										
Connection	Orifice Size mm (inches)	Flow Coefficient		Pressure Differential bar (psi)			Power Coil		Catalog Number	Options FKM
		Kv (m ³ /h)	Cv	min.	max.		W	W		
					inert gases	liquids				
2/2 NC - Normally Closed, VMQ Seals										
1/4	3.2 (0.126)	0.32	0.37	0	1.5 (0.059)	1.5 (0.059)	8	9	SCG283A013	-
	5.5 (0.215)	0.55	0.64	0	1.5 (0.059)	1 (0.039)	8	9	SCG283A014	-
2/2 NC - Normally Closed, EPDM Seals (Optional: FKM)										
1/4	3.2 (0.126)	0.32	0.37	0	10 (0.126)	2.4 (0.094)	8	9	SCG283A011E	V
	5.5 (0.215)	0.55	0.64	0	4.5 (0.177)	1 (0.039)	8	9	SCG283A012E	V
1/2	10 (0.394)	1.6	1.85	0	1.6 (0.063)	0.25 (0.010)	13	13	SCG283C006E	V
2/2 NO - Normally Open, FKM Seals										
1/4	3.2 (0.126)	0.3	0.35	0	3 (0.118)	1 (0.039)	8	9	SCG283A019V	-

How to Order



Dimensions: mm (inches)

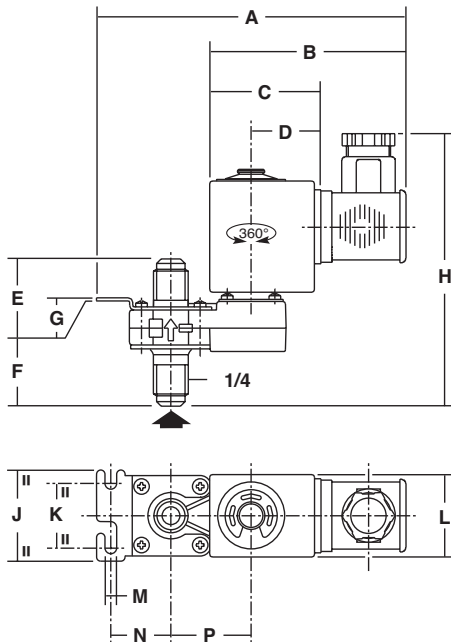
Dimensional Drawings

Type 01

Prefix "SC" solenoid
ISO 4400



**SCG283A011/012/
013/014/019V**



Pressure inlet:

NC function: arrow on body (type 01) or orifice 3 (type 02)

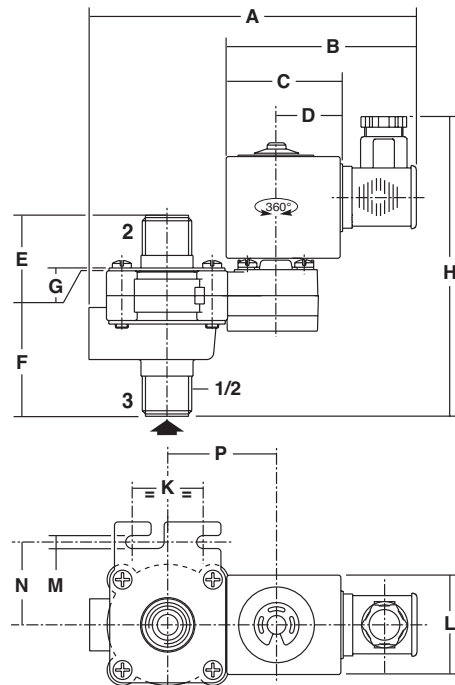
NO function: arrow on body (type 01)

Type 02

Prefix "SC" solenoid
ISO 4400



SCG283C006



Type	Prefix Option	Catalog Number	A	B	C	D	E	F	G	H	J	K	L	M	N	P	Weight ²
																	kg
01	SC	SCG283A011E/012E/013/014/019V	121.5 (4.78)	78 (3.07)	43 (1.69)	27 (1.06)	16.5 (0.65)	40.5 (1.59)	1.2 (0.047)	105 (4.13)	35 (1.38)	25 (0.98)	32 (1.26)	4.5 (0.177)	23 (0.906)	31 (1.22)	0.285
02	SC	SCG283C006E	142.5 (5.61)	84 (3.31)	49 (1.93)	28 (1.10)	23.5 (0.93)	61.5 (2.42)	1.2 (0.047)	128 (5.04)	-	30 (1.18)	42 (1.65)	5.5 (0.217)	35 (1.38)	46 (1.81)	0.57

² Including coil(s) and connector(s).

Options

- Valves can also be supplied with FKM (fluoroelastomer) poppet seal. Use the appropriate optional suffix letter for identification
- Other pipe connections are available on request
- Plug with visual indication and peak voltage suppression or with cable length of 2m (78.7in)

Installation

- The solenoid valves can be mounted in any position without affecting operation. For optimum performance mount solenoid vertical and upright
- Pipe connection identifier is G = G (ISO 228/1)
- Replacement coils are available:
Type 01(AMX): DC: 12 V, cat. no.: **43005143**/AC: 24 V, cat. no.: **43005146**;
115 V, cat. no.: **43005147**
Type 02 (FNX): DC: 12 V, cat. no.: **43005316**/AC: 24 V, cat. no.: **43005318**;
115 V, cat. no.: **43005319**