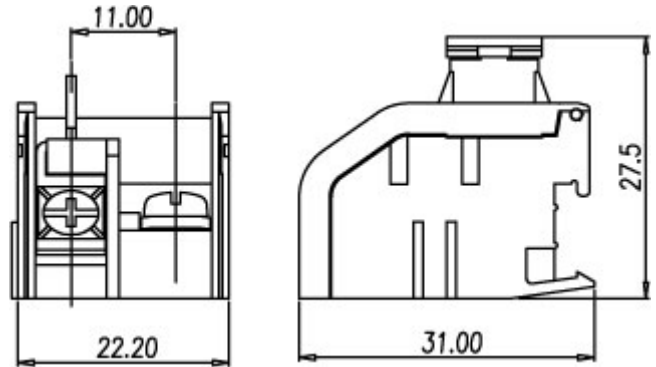





DIN Rail terminal blocks / TKE series



TKE03



Approval		
Technical Data	UL	IEC
Rated voltage	600V	800V
Rated current	6.3A	6.3A
Conductor cross-section, solid (AWG / mm ²)	24~12 / 0.5~1.0	
Conductor cross-section, flexible (AWG / mm ²)	24~12 / 0.5~1.0	
Rated impulse withstand voltage	5KV	
Torque (N-m)	1.2	
Screw	M3.5	
Wire strip length	15~17mm	
Insulating material	PA	
TxHxW (mm)	22.2 x 27.5 x 31	
Optional color	Cat. No.	
	TKE03-OR	
	TKE03-YG	



	Accessories	Cat. No.
Marking label		TM03
Mounting Rail		TKE-R-1000
Tool		



TKE-R