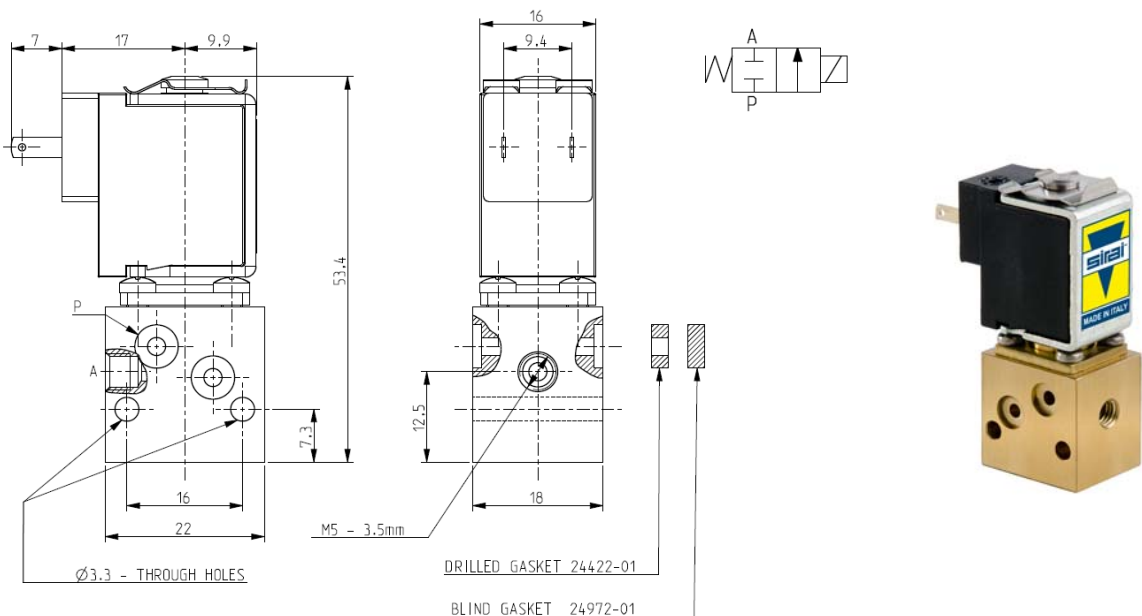




**MICRO SOLENOID VALVE**  
**2/2 - NC (Normally closed)**  
**Direct acting**  
**M5**

**V162**  
**MOUNTING IN BANKS**



► **GENERAL FEATURES**

Direct acting micro solenoid valve.  
 Minimum overall dimensions, quick response time and high number of cycles.  
 Designed for mounting in banks so to get valve groups with common inlets and single and independent outlets. Seal gasket for coupling supplied with the valve. Inlet and closing groups supplied separately.  
 A through hole on the body valve allows to connect the inlet with another user (e.g. pressure reducer).  
 Suitable to shut off liquid and gaseous fluids (verify the compatibility of fluid with materials in contact).

► **TECHNICAL FEATURES**

*Maximum allowable pressure (PS)* 16 bar  
*Opening time* from ~ 5ms to ~ 10ms  
*Closing time* from ~ 5ms to ~ 10ms  
*Fluid temperature* -0°C +90°C  
*Max viscosity* 3°E (22 cStokes or mm<sup>2</sup>/s)

► **MATERIALS IN CONTACT WITH FLUID**

*Body* Brass  
*Sealing* FPM – NBR (Gaskets)  
*Internal components* Stainless steel  
*Seat* Brass  
*Core tube* Brass

► **COIL**

*Continuous duty* ED 100%  
*Encapsulation material* PA (Polyamide) fiberglass reinforced  
*Insulation class* F (155°C)  
*Ambient temperature* -10°C +60°C  
*Electric connections* DIN 46340  
*Protection degree* IP40 (EN 60529) with female wire terminals  
 2,8 x 0,5 totally insulated  
 12 - 24V (+10% -5%)  
 (Other voltages on request).

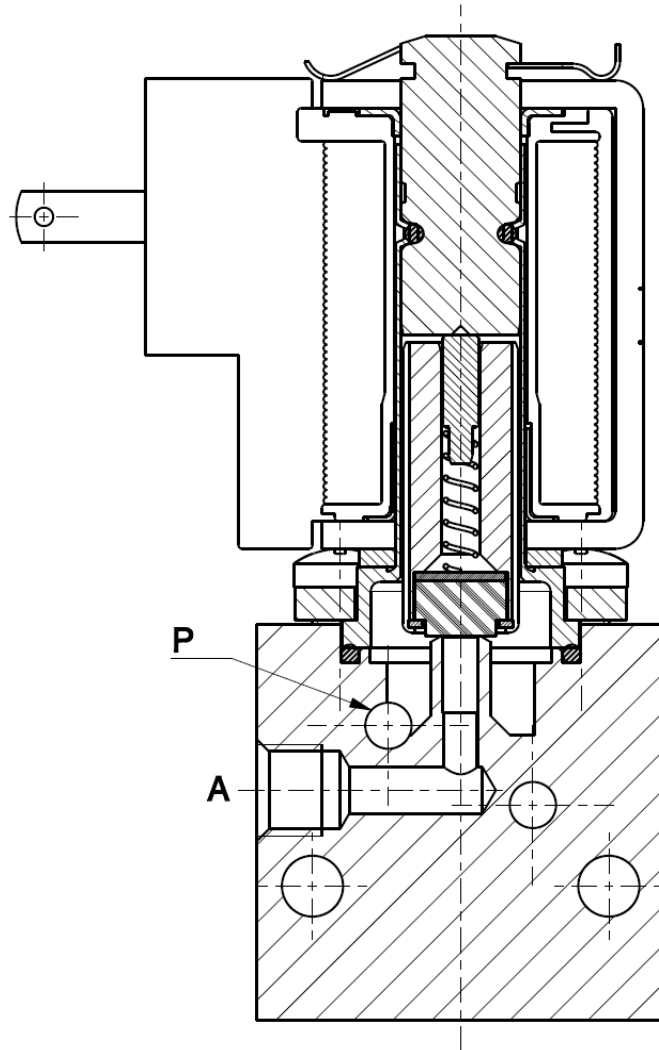
Port size ISO UNI 4534	Orifice size (mm)	Differential pressure (bar)				Kv (m <sup>3</sup> /h)	Series and type		Power absorption			Sealings	Notes	Weight (kg)	
		Δp min	Δp max				Valve	Coil	AC (VA)		c.c. (W)				
			Gases		Liquids				Inrush	Holding					
			AC	DC	AC										DC
Outlet M5	2	0	-	6	-	6	V162B02	ZE30A	-	-	4	FPM/NBR	1	0,105	
			-	2	-	2		ZE30C	-	-	2,5				

► **NOTES**

- These micro-solenoid valves are not suitable for stagnating media subject to vaporization which deposit solid, calcareous, incrusting residues or similar.
- Sealings: FPM = Fluoro-carbon elastomer NBR = Nitrile butylene elastomer
- Available with Z031 coil on request (Electric connections: DIN 46340 – micro plug connector; Protection degree: IP65)
- 1 - Port A can be also used as inlet (Δp max = 1 bar).

# V162

## ► SECTIONAL VIEW



## ► INSTALLATION

- Solenoid valve can be mounted in any position; vertical with coil upwards preferred.