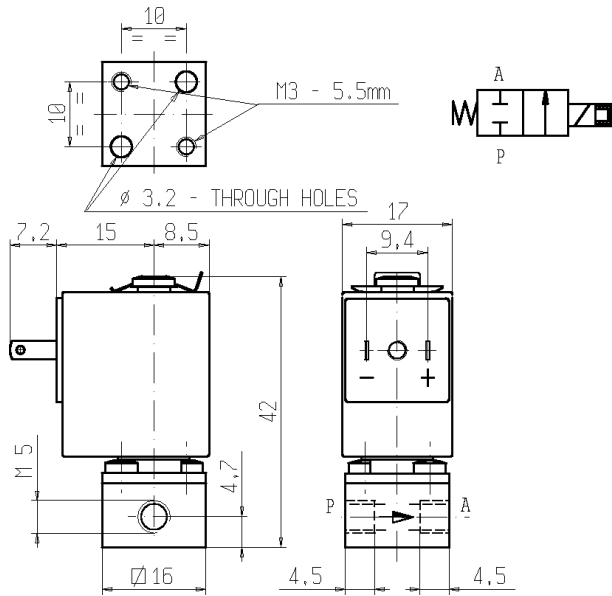




MICRO SOLENOID VALVE
2/2 - NC (Normally closed)
Direct acting
M5

V165
LATCHING MODEL



► **GENERAL FEATURES**

Direct acting micro solenoid valve; minimum overall dimensions.
 Suitable to shut off liquid and gaseous fluids (verify the compatibility of fluid with materials in contact).

► **TECHNICAL FEATURES**

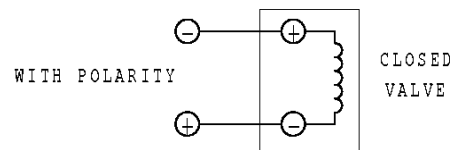
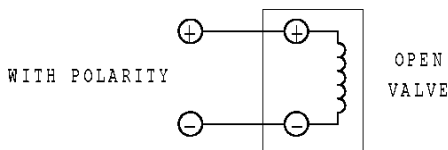
Maximum allowable pressure (PS) 16 bar
Opening time from ~5ms to ~10ms
Closing time from ~5ms to ~10ms
Fluid temperature 0°C +130°C
Max viscosity 3°E (~22 cStokes or mm²/s)

► **MATERIALS IN CONTACT WITH FLUID**

Body Brass
Sealing FPM
Internal components Stainless steel
Seat Brass
Core tube Stainless steel

► **COIL**

Duty Latching model, polarized type, operating by impulses
Minimum energizing time 20ms
Encapsulation material PP-V0 (self-extinguishing polypropylene) fiberglass reinforced
Insulation class A (105°C)
Ambient temperature -10°C +60°C
Electric connections DIN 46340 - 3 poles micro plug connectors
Protection degree IP 65 (EN 60529) with micro plug connector
Voltages DC 6-12V (+10% -10%)
 (Other voltages on request)



Port size ISO-UNI 4534	Orifice size (mm)	Differential pressure (bar)				Kv (m ³ /h)	Series and type		Power absorption			Sealings	Notes	Weight (kg)	
		Δp min	Δp max		Valve		Coil	AC. (VA)		DC. (W)					
			Gases					Liquids			Inrush				Holding
			AC	DC				AC	DC						
M5	2	0	-	2	0,10	V165V17	Z070D	-	-	2	1	-	0,060		
	2,5		-	0,05	0,05	0,12	V165V07	Z070L	-	-	0,5			FPM	

► **NOTES**

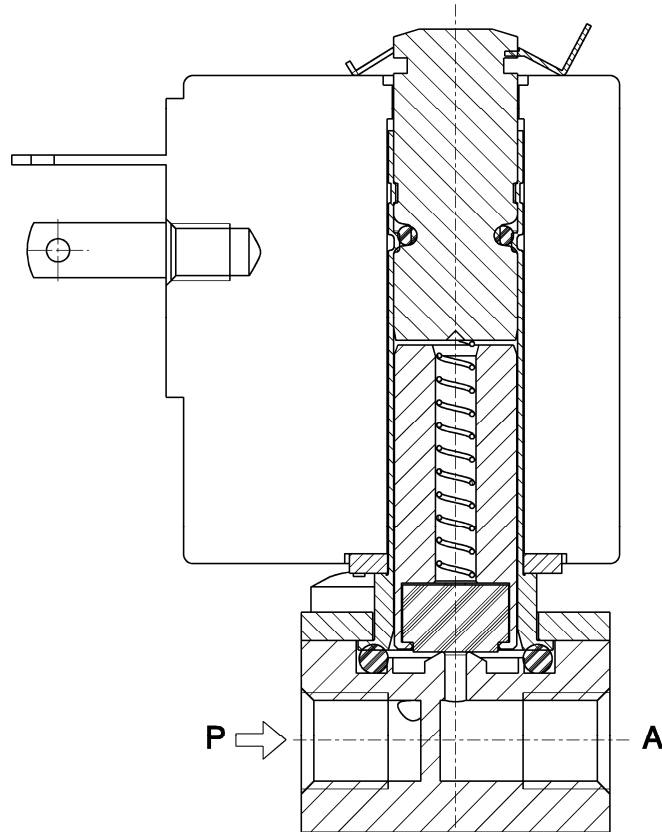
- These micro-solenoid valves are not suitable for stagnating media subject to vaporization which deposit solid, calcareous, incrusting residues or similar.
- Seal: FPM = Fluoro-carbon elastomer
- 1 - On request grease/oil free version (V165V17L)

1301/1312

V165

LATCHING MODEL

► SPARE PARTS



► MOUNTING

Solenoid valve can be mounted in any position; vertical with coil upwards preferred.