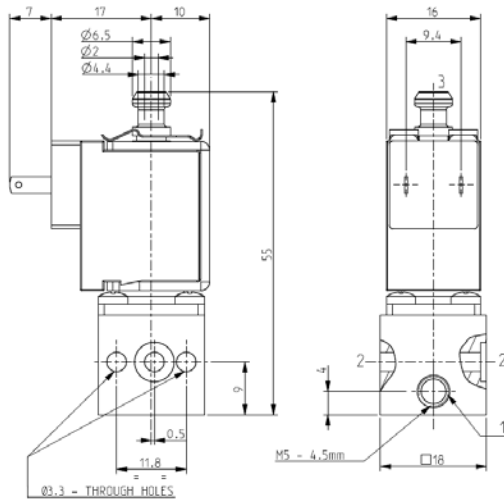




MICRO SOLENOID VALVE
3/2 - NC (Normally closed)
Direct acting
M5

V369
MOUNTING IN BANKS



► **GENERAL FEATURES**

Direct acting micro solenoid valve.
 Minimum overall dimensions, quick response time and high number of cycles.
 Designed for mounting in banks so to get valve groups with common inlets and single and independent outlets. Inlet and closing groups supplied separately. Seal gasket for coupling supplied with the valve.
 For further information see the mounting scheme K29708.
 Suitable to shut off liquid and gaseous fluids (verify the compatibility of fluid with materials in contact).

► **TECHNICAL FEATURES**

Maximum allowable pressure (PS) 16 bar
Opening time from ~ 5ms to ~ 10ms
Closing time from ~ 5ms to ~ 10ms
Fluid temperature -10°C +90°C
Max viscosity 3°E (22 cStokes or mm²/s)

► **MATERIALS IN CONTACT WITH FLUID**

Body Brass
Sealing NBR
Internal components Stainless steel
Seat Brass
Core tube Brass

► **COIL**

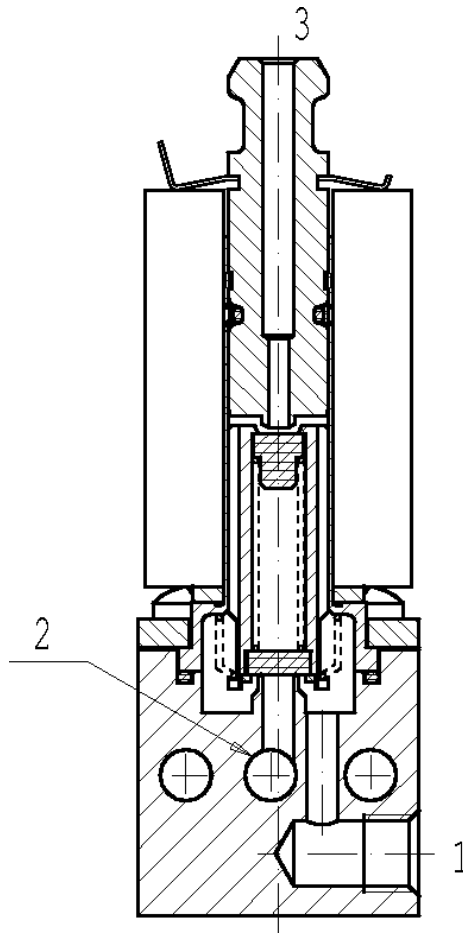
Continuous duty ED 100%
Encapsulation material PA (Polyamide) fiberglass reinforced
Insulation class F (155°C)
Ambient temperature -10°C +60°C
Electric connections DIN 46340
Protection degree IP 40 (EN 60529) with female wire terminals
 2,8 x 0,5 totally insulated
Voltages DC 12 - 24V (+10% -5%)
 (Other voltages on request)

Port size ISO UNI 4534	Orifice size (mm)	Differential pressure (bar)				Kv (m ³ /h)	Series and type		Power absorption			Sealings	Notes	Weight (kg)	
		Δp min	Δp max				Valve	Coil	AC (VA)		c.c. (W)				
			Gases		Liquids				Inrush	Holding					
			AC	DC	AC										DC
Outlet M5	2	0	-	0,4	-	0,4	0,08	V369B01C	ZE30C	-	-	2,5	NBR	-	0,085

► **NOTES**

- These micro-solenoid valves are not suitable for stagnating media subject to vaporization which deposit solid, calcareous, incrusting residues or similar.
- Sealings: NBR = Nitrile-butylene elastomer.
- Upper exhaust R (3) with internal diameter 1,3 mm.
- Available with Z031C coil on request (Electric connections: DIN 46340 – micro plug connector; Protection degree: IP65)

► SECTIONAL VIEW



► INSTALLATION

- Solenoid valve can be mounted in any position; vertical with coil upwards preferred.