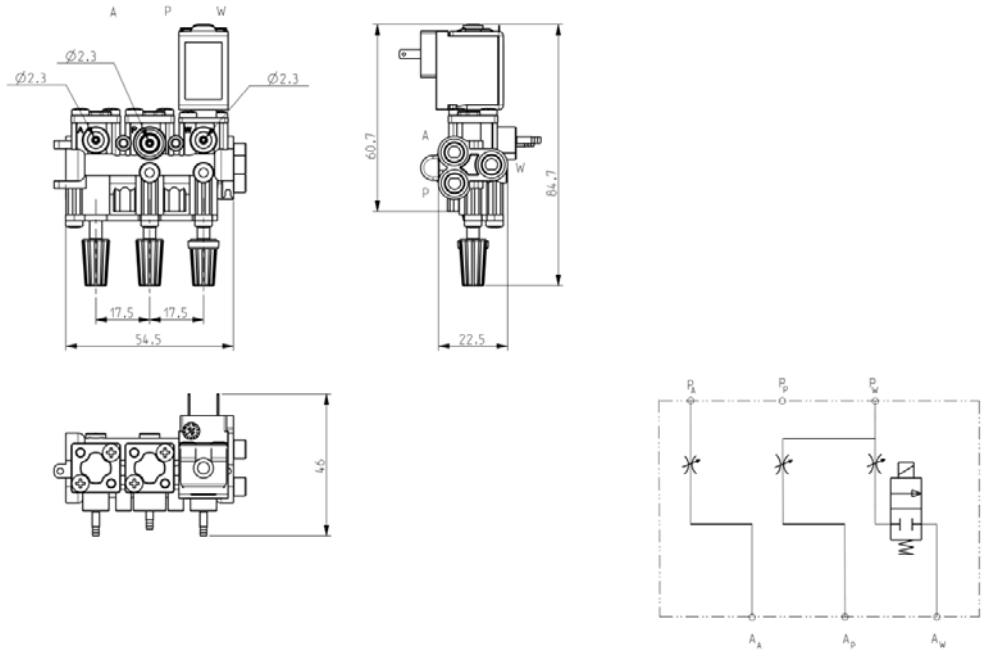




MANIFOLD WITH 1 MICROACTUATOR 2/2NC - DRY - Direct acting (W)

V625D03



► GENERAL FEATURES

Manifold with 1 total isolation direct acting microactuator 2/2NC (W), 1 water channel (P) and 1 air channel (A).
 Compact and versatile version, designed for dental equipments.
 Equipped with 3 flow regulators; the modular system allows the use as single or as a set (max. 4 manifolds); the manifold is delivered with 3 sealing O-rings and joint pin. Heads group kit (feeding and end side) available separately (see details on the back).
 Suitable to shut off liquid (W-P) and gaseous (A) fluids (verify the compatibility of fluid with materials in contact).

► TECHNICAL FEATURES

Maximum allowable pressure (PS) 8 bar
 Opening time from ~5ms to ~10ms
 Closing time from ~5ms to ~10ms
 Fluid temperature -10°C +90°C
 Max. viscosity 3°E (22 cStokes or mm²/s)

► MATERIALS IN CONTACT WITH FLUID

Manifold body and seats POM
 Sealing EPDM (WRAS/KTW certified compound)
 Internal components PA66
 Barbed ports Brass

► COIL

Continuous duty ED 100%
 Encapsulation material PA (polyamide) fiberglass reinforced
 Insulation class F (155°C)
 Ambient temperature -10°C +60°C
 Electric connections DIN 46340
 Protection degree IP40 (EN 60529) with female wire terminals 2,8x0,5 totally insulated
 Voltages DC 12-24V (+10% -5%)
 (Other voltages on request)

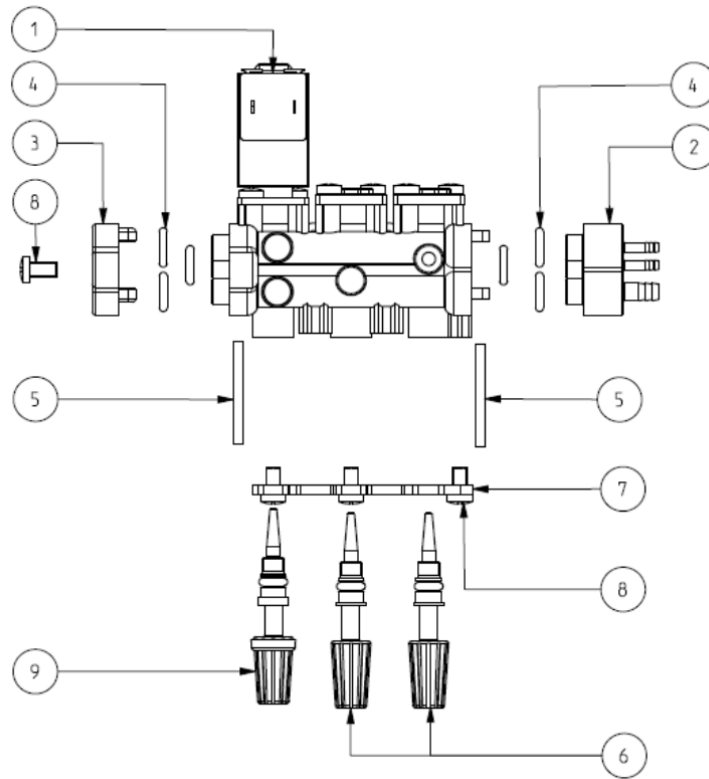
Ports ♦	Orifice size (mm)	Differential pressure (bar)				Kv (m ³ /h)	Series and type			Absorption	Sealings	Notes	Weight (kg) ♦	
		Δp min	Δp max				Manifold	Actuator	Coil					
			Gas	Liquids						DC (W)				
			c.a.	c.c.	c.a.	c.c.								
Barbed ports	1.5	0	-	-	-	3	0,03	V625D03	W	ZE30A	4	EPDM	-	0,075

► NOTES

- Sealing: EPDM = Ethylene-propylene elastomer (WRAS/KTW certified compound)
- ♦ - Features referred to the manifold equipped with feeding and end side heads.

V625D03

► SPARE PARTS



Kit Description

Heads group kit

Kit P.N.

G3144801

Consisting of:

Feeding head pos. 2
End side head pos. 3
N°. 1 screw pos. 8
N°. 3 OR pos. 4
Pin pos. 5

OR kit

GU2446000006

N°. 6 OR pos. 4

Pin kit

G3145001

N°. 10 pins pos. 5

Air regulator kit

430009001R

1 knob regulator assembly pos. 6

Water regulator kit

505265001R

1 knob regulator assembly pos. 9

Plate kit

G3144901

Plate pos. 7
N°. 3 screws pos. 8

Coil

ZE30A

Coil pos. 1

► MOUNTING

- Manifold can be mounted in any position; vertical with coil upwards preferred.

THE VALIDITY OF REPORTED DATA IS REFERRED TO THE DATE OF ISSUE. POSSIBLE UPDATES ARE AVAILABLE ON REQUEST