
WPM planar beam load cell



product description

The WPM is a mini-planar beam with integrated load mount within an cast aluminium enclosure. The enclosure allows for ease of mounting and provides maximum flexibility of scale system design. Connection is via an RJ45 connector. The natural rubber load mount ensures optimum speed of response for applications involving repeated and precise weighing. The WPM is available with a capacity of 37.5lb.

applications

Low profile scales, process weighing systems.

key features

Aluminium construction

Integrated load mount

Easy mounting fixtures

Capacity of 37.5lb (17kg)

Calibration in mV/V/ Ω for accuracy class G3

accessories

Compatible range of electronics



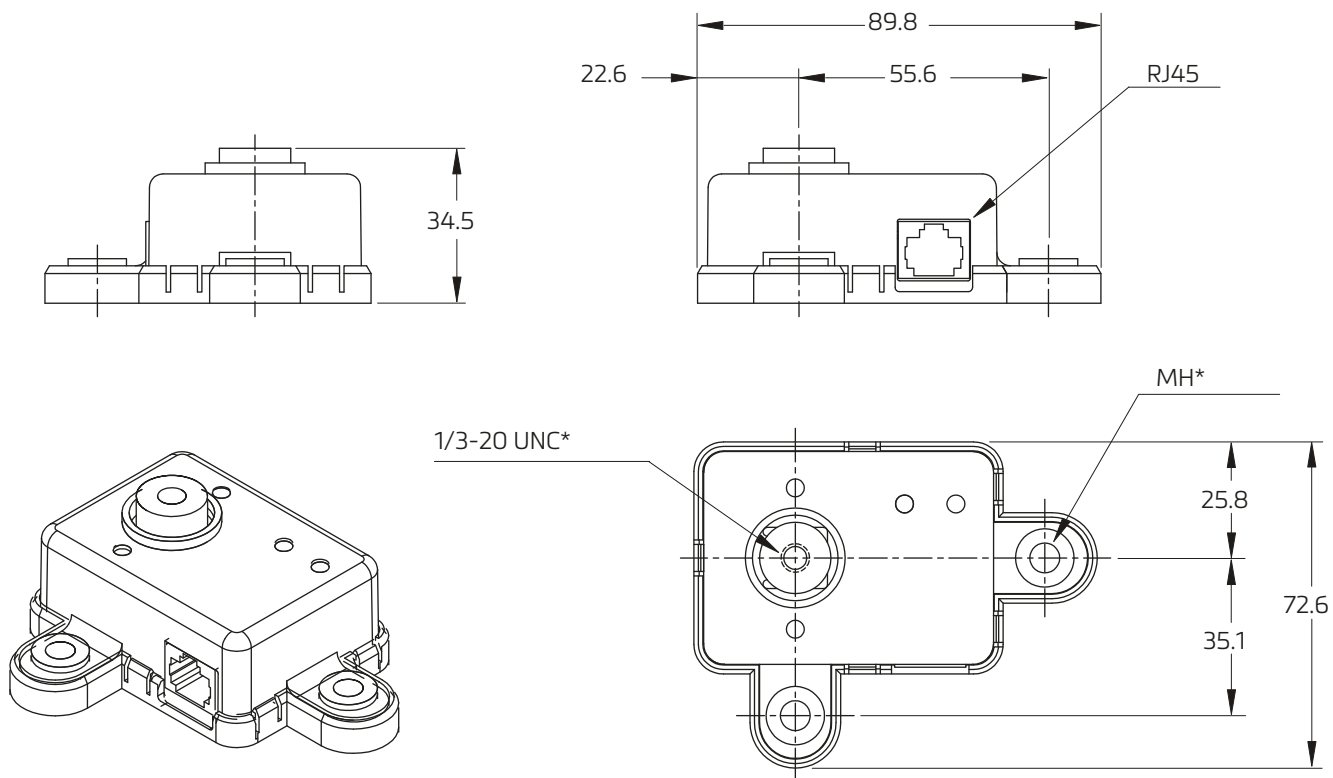
specification

Maximum capacity (E_{max})	lb	37.5	
Metric equivalent (1 lb = 0.45359 kg)	kg	17	
Accuracy class according OIML R 60		(GP)	G3
Maximum number of verification intervals (n_{LC})		n.a.	3,000
Minimum load cell verification interval (v_{min})		n.a.	$E_{max} / 7,500$
Temperature effect on minimum dead load output (TC_0)	%*RO/10°C	± 0.0400	± 0.0187
Temperature effect on sensitivity (TC_{RO})	%*RO/10°C	± 0.0200	± 0.0100
Combined error	%*RO	± 0.0500	± 0.0200
Non-linearity	%*RO	± 0.0400	± 0.0166
Hysteresis	%*RO	± 0.0400	± 0.0166
Creep error (30 minutes) / DR	%*RO	± 0.0600	± 0.0166
Rated output (RO)	mV/V	1 ± 15%	1 ± 15%
Calibration in mV/V/Ω	%*RO	n.a.	± 0.05
Zero balance	%*RO	± 5	
Excitation voltage	V	5...15	
Input resistance (R_{LC})	Ω	401 ± 10	
Output resistance (R_{out})	Ω	385 ± 35	
Insulation resistance (100 V DC)	MΩ	≥ 5,000	
Safe load limit (E_{lim})	%* E_{max}	300	
Ultimate load	%* E_{max}	400	
Safe side load	%* E_{max}	200	
Compensated temperature range	°C	-10...+40	
Operating temperature range	°C	-10...+65	
Load cell material		Aluminium	
Enclosure		Aluminium	
Load mount		Natural rubber	
Packet weight	kg	0.3 (approx)	

The limits for Non-linearity, Hysteresis and TC_{RO} are typical values.

The sum of Non-linearity, Hysteresis and TC_{RO} meets the requirements according to OIML R60 with $p_{LC}=0.7$.

product dimensions (mm)



1/4-20 UNC* - approx. 6 mm deep
 MH* - 1/4" Mounting hole (2x)

wiring

Cable connection is done via one RJ-45 socket.

connector pin	function
1	+ Signal
2	- Signal
4	+ Excitation / + Sense
5	- Excitation / - Sense

Specifications and dimensions are subject to change without notice.