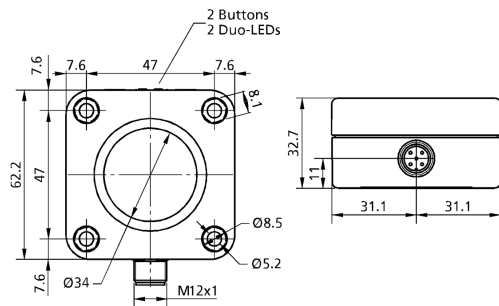
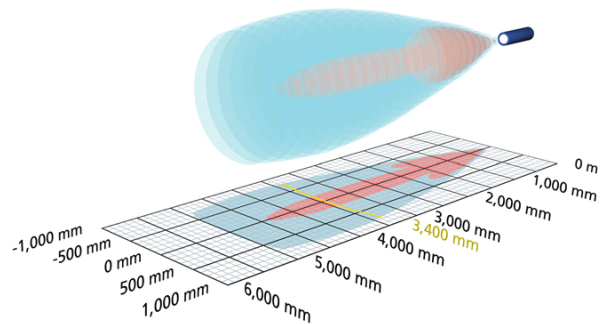


lcs+340/F

scale drawing



detection zone



1 x Push-Pull

5,000 mm

operating range	350 - 5.000 mm
design	cuboidal
operating mode	proximity switch/reflective mode reflective barrier window mode
particularities	IO-Link UL Listed

ultrasonic -specific

means of measurement	echo propagation time measurement
transducer frequency	120 kHz
blind zone	350 mm
operating range	3,400 mm
maximum range	5,000 mm
resolution/sampling rate	0.18 mm
reproducibility	± 0.15 %
accuracy	± 1 % (temperature drift internally compensated)

electrical data

operating voltage U_B	9 - 30 V d.c., reverse polarity protection
voltage ripple	± 10 %
Leerlaufstromaufnahme	≤ 60 mA
type of connection	5-pin M12 initiator plug

lcs+340/F

outputs

output 1	Schaltausgang Push-Pull, $U_B=3\text{ V}$, $-U_B+3\text{ V}$, $I_{\max} = 100\text{ mA}$
switching frequency	4 Hz
response time	172 ms
delay prior to availability	< 380 ms

inputs

input 1	com input synchronisation input
---------	------------------------------------

housing

material	PBT
ultrasonic transducer	polyurethane foam, epoxy resin with glass contents
class of protection to EN 60529	IP 67
operating temperature	-25°C to +70°C
storage temperature	-40°C to +85°C
weight	180 g

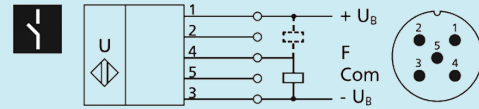
technical features/characteristics

temperature compensation	yes
controls	2 push-buttons
scope for settings	Teach-in via push-button LCA-2 with LinkControl IO-Link
Synchronisation	yes
multiplex	yes
indicators	2 x three-colour LED
particularities	IO-Link UL Listed

lcs+340/F

[documentation \(download\)](#)

pin assignment



order no.

lcs+340/F