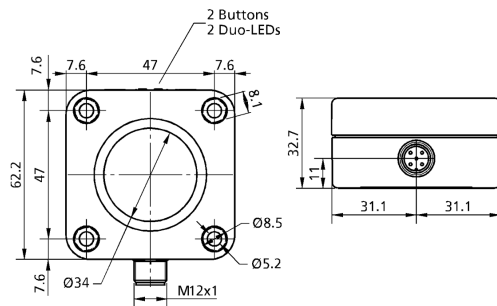
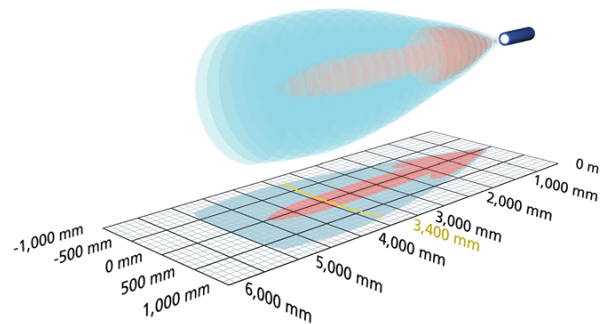


Ics+340/IU

scale drawing



detection zone



1 x analogue 4-20 mA + 0-10 V

 5,000 mm

operating range	350 - 5.000 mm
design	cuboidal
operating mode	analogue distance measurements
particularities	UL Listed

ultrasonic -specific

means of measurement	echo propagation time measurement
transducer frequency	120 kHz
blind zone	350 mm
operating range	3,400 mm
maximum range	5,000 mm
resolution/sampling rate	0.18 mm to 1.5 mm, depending on the analogue window
reproducibility	± 0.15 %
accuracy	± 1 % (temperature drift internally compensated)

electrical data

operating voltage U_B	9 - 30 V d.c., reverse polarity protection
voltage ripple	± 10 %
Leerlaufstromaufnahme	≤ 60 mA
type of connection	5-pin M12 initiator plug

Ics+340/IU

outputs

output 1	analogue output current: 4-20 mA / voltage: 0-10 V (at $U_B \geq 15$ V), short-circuit-proof switchable rising/falling
response time	172 ms
delay prior to availability	< 450 ms

inputs

input 1	com input synchronisation input
---------	------------------------------------

housing

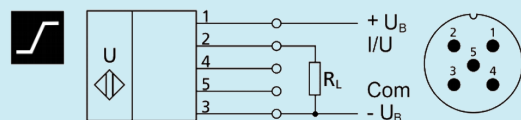
material	PBT
ultrasonic transducer	polyurethane foam, epoxy resin with glass contents
class of protection to EN 60529	IP 67
operating temperature	-25°C to +70°C
storage temperature	-40°C to +85°C
weight	180 g

technical features/characteristics

temperature compensation	yes
controls	2 push-buttons
scope for settings	Teach-in via push-button LCA-2 with LinkControl
Synchronisation	yes
multiplex	yes
particularities	UL Listed

documentation (download)

pin assignment



order no.

Ics+340/IU