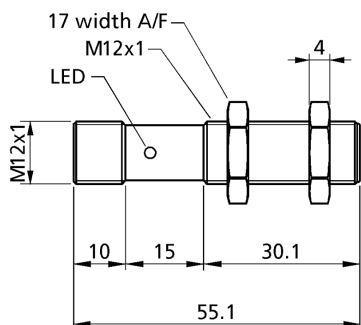
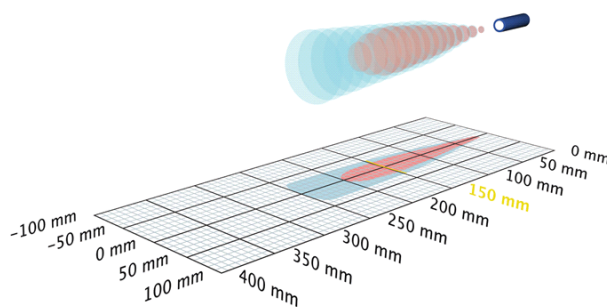


nano-15/CD

scale drawing



detection zone



1 x pnp



250 mm

operating range	20 - 250 mm
design	cylindrical M12
operating mode	proximity switch/reflective mode reflective barrier window mode
particularities	narrow sound field

ultrasonic -specific

means of measurement	echo propagation time measurement
transducer frequency	380 kHz
blind zone	20 mm
operating range	150 mm
maximum range	250 mm
reproducibility	$\pm 0.15 \%$
accuracy	$\pm 1 \%$ (temperature drift internally compensated)

electrical data

operating voltage U_B	10 - 30 V d.c., reverse polarity protection
voltage ripple	$\pm 10 \%$
Leerlaufstromaufnahme	$\leq 25 \text{ mA}$
type of connection	4-pin M12 initiator plug

nano-15/CD

outputs

output 1	switching output pnp: $I_{\max} = 200 \text{ mA}$ ($U_B = 2\text{V}$) NOC/NCC adjustable, short-circuit-proof
switching hysteresis	2.0 mm
switching frequency	30 Hz
response time	24 ms
delay prior to availability	< 300 ms

inputs

input 1	Teach-in input
---------	----------------

housing

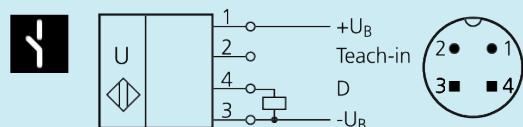
material	brass sleeve, nickel-plated, plastic parts, PBT
ultrasonic transducer	polyurethane foam, epoxy resin with glass contents
class of protection to EN 60529	IP 67
operating temperature	-25°C to +70°C
storage temperature	-40°C to +85°C
weight	15 g

technical features/characteristics

scope for settings	Teach-in Teach-in über Com-Eingang an Pin 2
indicators	1 x LED green: working, 1 x LED yellow: switch status
particularities	narrow sound field

documentation (download)

pin assignment



order no.

nano-15/CD