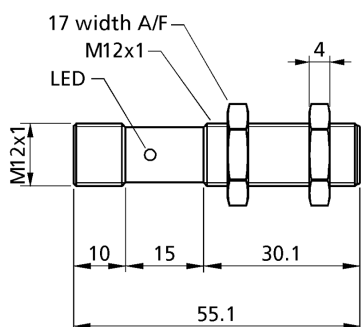
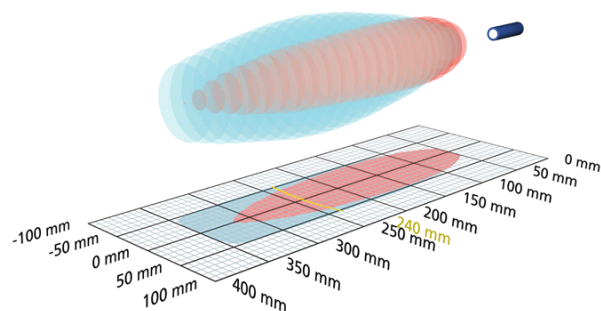


# nano-24/CD

## scale drawing



## detection zone



1 x pnp

350 mm

operating range	40 - 350 mm
design	cylindrical M12
operating mode	proximity switch/reflective mode reflective barrier window mode
particularities	narrow sound field

## ultrasonic -specific

means of measurement	echo propagation time measurement
transducer frequency	500 kHz
blind zone	40 mm
operating range	240 mm
maximum range	350 mm
reproducibility	± 0.15 %
accuracy	± 1 % (temperature drift internally compensated)

## electrical data

operating voltage $U_B$	10 - 30 V d.c., reverse polarity protection
voltage ripple	± 10 %
Leerlaufstromaufnahme	≤ 35 mA
type of connection	4-pin M12 initiator plug

# nano-24/CD

## outputs

output 1	switching output pnp: $I_{\max} = 200 \text{ mA}$ ( $U_B = 2\text{V}$ ) NOC/NCC adjustable, short-circuit-proof
switching hysteresis	3 mm
switching frequency	25 Hz
response time	30 ms
delay prior to availability	< 300 ms

## inputs

input 1	Teach-in input
---------	----------------

## housing

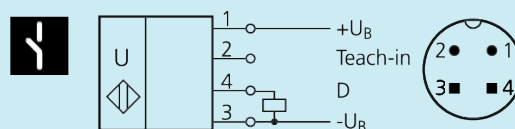
material	brass sleeve, nickel-plated, plastic parts, PBT
ultrasonic transducer	polyurethane foam, epoxy resin with glass contents
class of protection to EN 60529	IP 67
operating temperature	-25°C to +70°C
storage temperature	-40°C to +85°C
weight	15 g

## technical features/characteristics

scope for settings	Teach-in Teach-in über Com-Eingang an Pin 2
indicators	1 x LED green: working, 1 x LED yellow: switch status
particularities	narrow sound field

## documentation (download)

### pin assignment



order no.

**nano-24/CD**