

Product Information

Level Indicator NBS



- Mounted in the cover
- Direct display

Characteristics

Mechanical level indicator for water: The level is displayed in a sight glass by means of a float ring.

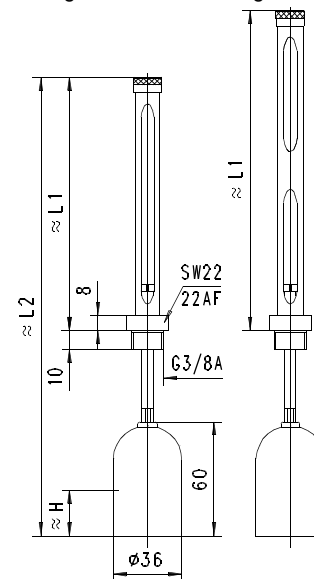
Technical data

Switch	without
Process connection	male thread G 3/8 A, optional G 1/2 A
Density of medium	see table "Dimensions, density, and weights"
Pressure resistance	-
Medium temperature	-20..+50 °C
Ambient temperature	-20..+50 °C
Media	water, oils
Electrical data	none
Materials medium-contact	CW614N, natural glass, acrylic, NBR
Non-medium-contact materials	CW614N, natural glass, PVC, NBR
Weight	see table "Dimensions, density, and weights"
Installation location	vertical installation position

Dimensions, density, and weights

Types	L1	L2	H	Density Medium g/cm ³	Number of sight glasses	Weight kg
NBS-010HM040	40	185	21	≥ 0.60	1	0.10
NBS-010HM060	60	205	22			
NBS-010HM080	80	225	23			
NBS-010HM100	100	245	24	≥ 0.65		0.12
NBS-010HM125	125	270		0.13		
NBS-010HM150	150	295	25		0.14	
NBS-010HM200	200	345	27	≥ 0.70		0.16
NBS-010HM250	250	395	29	≥ 0.75	2	0.18
NBS-010HM300	300	445	30	≥ 0.80		0.20

Length 40..200 Length 250..300



Vent drilling in cover.
 Details of float location H for density 1 g/cm³.

Ordering code

NBS - 1. 2. 3. 4.
 H M

○=Option

1. Connection size	010	threaded connection G 3/8 A
	015	○ threaded connection G 1/2 A
2. Process connection	H	screw-in thread
3. Connection material	M	brass
4. Length	040	40 mm
	060	60 mm
	080	80 mm
	100	100 mm
	125	125 mm
	150	150 mm
	200	200 mm
	250	250 mm
	300	300 mm