

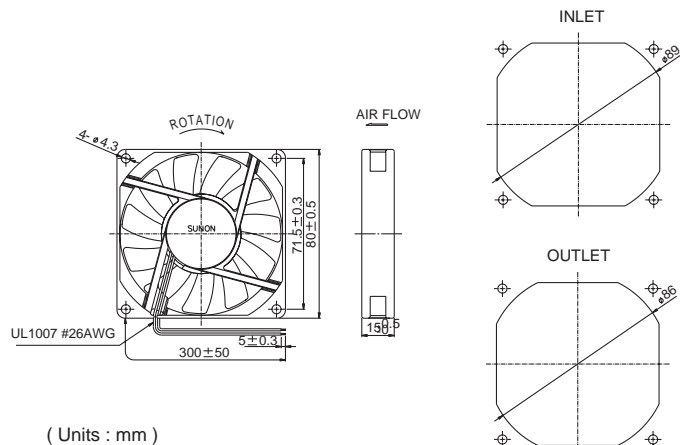
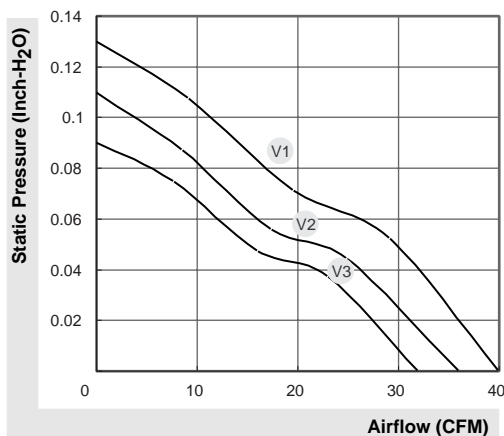
MagLev Motor Fan

32~40 CFM



Model	P/N	Bearing ● VAPO ⊙ 2BALL	Rating Voltage (VDC)	Power Current (AMP)	Power Consumption (WATTS)	Speed (RPM)	Air Flow (CFM)	Static Pressure (Inch-H ₂ O)	Noise (dBA)	Weight (g)
KDE1208PHV1	13.MS.A.GN	●	12	0.20	2.4	3000	40	0.13	34	68
KDE1208PHV2	13.MS.A.GN	●	12	0.13	1.6	2700	36	0.11	31	68
KDE1208PHV3	13.MS.A.GN	●	12	0.10	1.2	2400	32	0.09	28	68
KDE2408PHV1	13.MS.A.GN	●	24	0.09	2.2	3000	40	0.13	34	68
KDE2408PHV2	13.MS.A.GN	●	24	0.08	1.9	2700	36	0.11	31	68
KDE2408PHV3	13.MS.A.GN	●	24	0.075	1.8	2400	32	0.09	28	68

*High air flow products please see page 45.



*All model could be customized on voltage or any other requirements to fit your need.

*Specifications subject to change without notice. Please Visit SUNON web site at <http://www.sunon.com> for update information.