

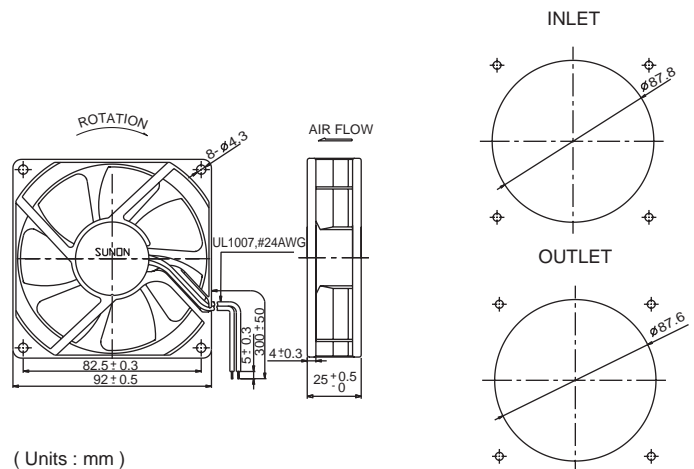
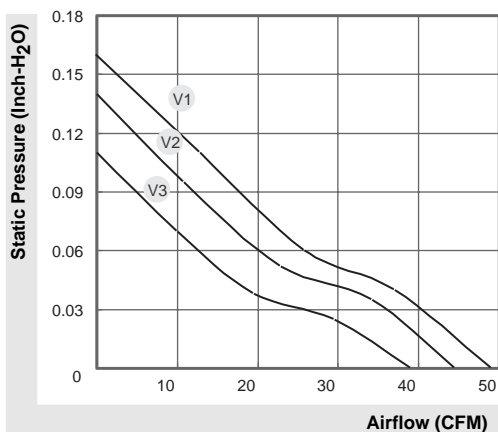
## MagLev Motor Fan

### 39~49 CFM



Model	P/N	Bearing ● VAPO ⊕ 2BALL	Rating Voltage (VDC)	Power Current (AMP)	Power Consumption (WATTS)	Speed (RPM)	Air Flow (CFM)	Static Pressure (Inch-H <sub>2</sub> O)	Noise (dBA)	Weight (g)
KDE1209PTV1	13.MS.A.GN	●	12	0.15	1.8	2800	49.0	0.16	34	95
KDE1209PTV2	13.MS.A.GN	●	12	0.12	1.4	2500	44.5	0.14	32	95
KDE1209PTV3	13.MS.A.GN	●	12	0.08	1.0	2200	39.0	0.11	28	95
KDE2409PTV1	13.MS.A.GN	●	24	0.08	1.9	2800	49.0	0.16	34	100
KDE2409PTV2	13.MS.A.GN	●	24	0.06	1.4	2500	44.5	0.14	32	100
KDE2409PTV3	13.MS.A.GN	●	24	0.05	1.2	2200	39.0	0.11	28	100

\*High air flow products please see page 49.



\*All model could be customized on voltage or any other requirements to fit your need.

\*Specifications subject to change without notice. Please Visit SUNON web site at <http://www.sunon.com> for update information.