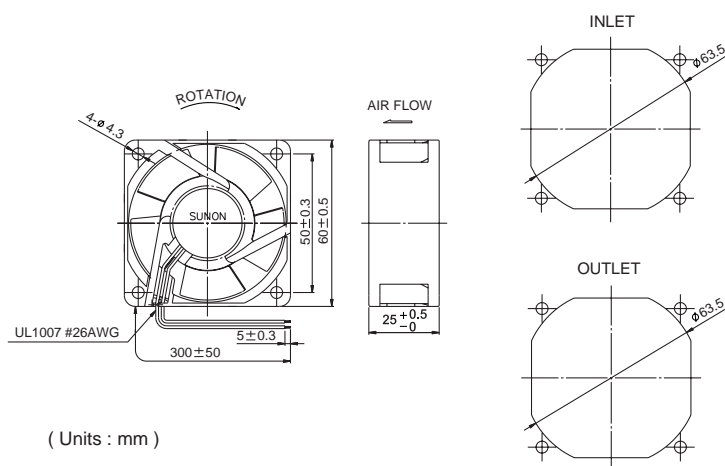
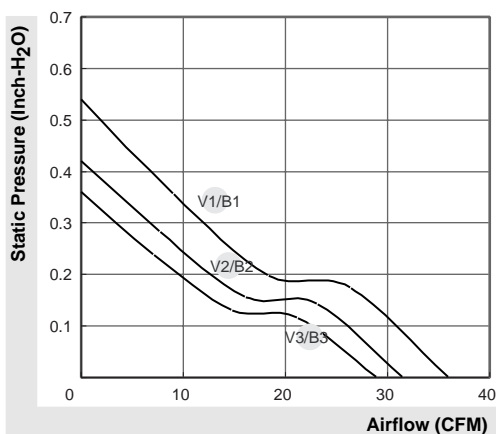


MagLev Power Motor Fan

29~36 CFM



Model	P/N	Bearing ● VAPO ⊗ 2BALL	Rating Voltage (VDC)	Power Current (AMP)	Power Consumption (WATTS)	Speed (RPM)	Air Flow (CFM)	Static Pressure (Inch-H ₂ O)	Noise (dBA)	Weight (g)
PMD1206PTV1-A	U.GN	●	12	0.32	3.8	6900	36.0	0.54	43	75
PMD1206PTV2-A	U.GN	●	12	0.26	3.1	6100	31.5	0.42	41	75
PMD1206PTV3-A	U.GN	●	12	0.22	2.6	5600	29.0	0.36	37	75
PMD1206PTB1-A	(2).U.GN	⊗	12	0.32	3.8	6900	36.0	0.54	44	75
PMD1206PTB2-A	(2).U.GN	⊗	12	0.26	3.1	6100	31.5	0.42	42	75
PMD1206PTB3-A	(2).U.GN	⊗	12	0.22	2.6	5600	29.0	0.36	38	75
PMD2406PTV1-A	U.GN	●	24	0.16	3.8	6900	36.0	0.54	43	75
PMD2406PTV2-A	U.GN	●	24	0.12	2.9	6100	31.5	0.42	41	75
PMD2406PTV3-A	U.GN	●	24	0.10	2.4	5600	29.0	0.36	37	75
PMD2406PTB1-A	(2).U.GN	⊗	24	0.16	3.8	6900	36.0	0.54	44	75
PMD2406PTB2-A	(2).U.GN	⊗	24	0.12	2.9	6100	31.5	0.42	42	75
PMD2406PTB3-A	(2).U.GN	⊗	24	0.10	2.4	5600	29.0	0.36	38	75



*All model could be customized on voltage or any other requirements to fit your need.

*Specifications subject to change without notice. Please Visit SUNON web site at <http://www.sunon.com> for update information