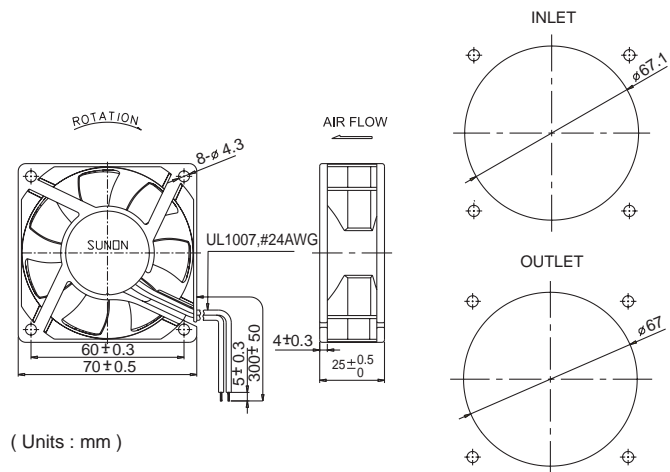
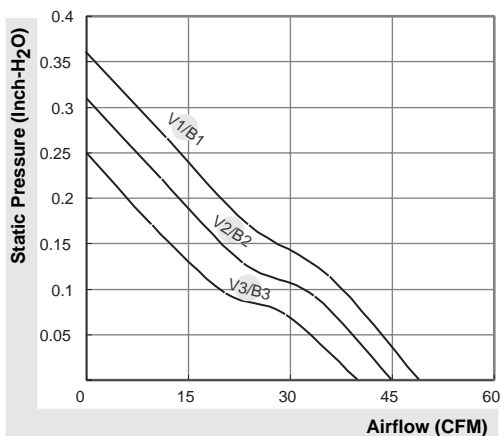


MagLev Power Motor Fan

40~49 CFM



Model	P/N	Bearing ● VAPO ⊕ 2BALL	Rating Voltage (VDC)	Power Current (AMP)	Power Consumption (WATTS)	Speed (RPM)	Air Flow (CFM)	Static Pressure (Inch-H ₂ O)	Noise (dBA)	Weight (g)
PMD1207PTV1-A	GN	●	12	0.37	4.4	5100	49	0.36	44	90
PMD1207PTV2-A	GN	●	12	0.32	3.8	4700	45	0.31	42	90
PMD1207PTV3-A	GN	●	12	0.25	3.0	4200	40	0.25	38	90
PMD1207PTB1-A	(2).GN	⊕	12	0.37	4.4	5100	49	0.36	45	90
PMD1207PTB2-A	(2).GN	⊕	12	0.31	3.7	4700	45	0.31	43	90
PMD1207PTB3-A	(2).GN	⊕	12	0.24	2.9	4200	40	0.25	39	90
PMD2407PTV1-A	GN	●	24	0.20	4.8	5100	49	0.36	44	90
PMD2407PTV2-A	GN	●	24	0.16	3.8	4700	45	0.31	42	90
PMD2407PTV3-A	GN	●	24	0.13	3.1	4200	40	0.25	38	90
PMD2407PTB1-A	(2).GN	⊕	24	0.19	4.6	5100	49	0.36	45	90
PMD2407PTB2-A	(2).GN	⊕	24	0.15	3.6	4700	45	0.31	43	90
PMD2407PTB3-A	(2).GN	⊕	24	0.12	2.9	4200	40	0.25	39	90



*All model could be customized on voltage or any other requirements to fit your need.

*Specifications subject to change without notice. Please Visit SUNON web site at <http://www.sunon.com> for update information.