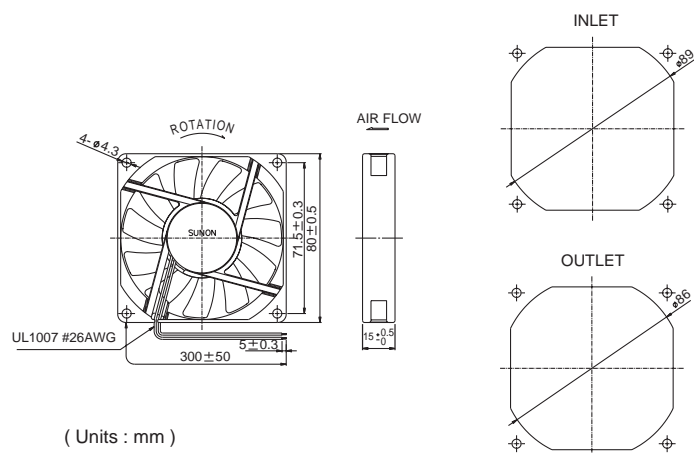
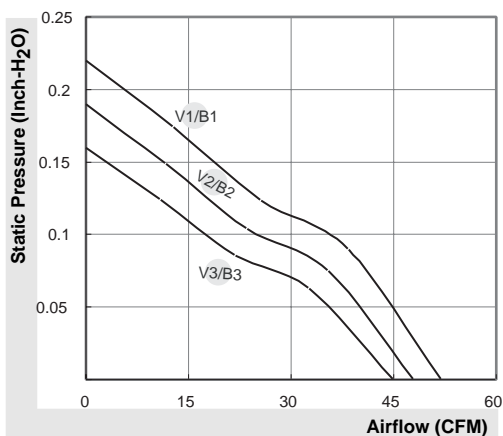


MagLev Power Motor Fan

45~52 CFM



Model	P/N	Bearing ● VAPO ⊕ 2BALL	Rating Voltage (VDC)	Power Current (AMP)	Power Consumption (WATTS)	Speed (RPM)	Air Flow (CFM)	Static Pressure (Inch-H ₂ O)	Noise (dBA)	Weight (g)
PMD1208PHV1-A	GN	●	12	0.41	4.9	3900	52	0.22	40	75
PMD1208PHV2-A	GN	●	12	0.34	4.1	3600	48	0.19	38	75
PMD1208PHV3-A	GN	●	12	0.27	3.2	3300	45	0.16	36	75
PMD1208PHB1-A	(2).GN	⊕	12	0.41	4.9	3900	52	0.22	41	75
PMD1208PHB2-A	(2).GN	⊕	12	0.33	4.0	3600	48	0.19	39	75
PMD1208PHB3-A	(2).GN	⊕	12	0.27	3.2	3300	45	0.16	37	75



*All model could be customized on voltage or any other requirements to fit your need.

*Specifications subject to change without notice. Please Visit SUNON web site at <http://www.sunon.com> for update information.