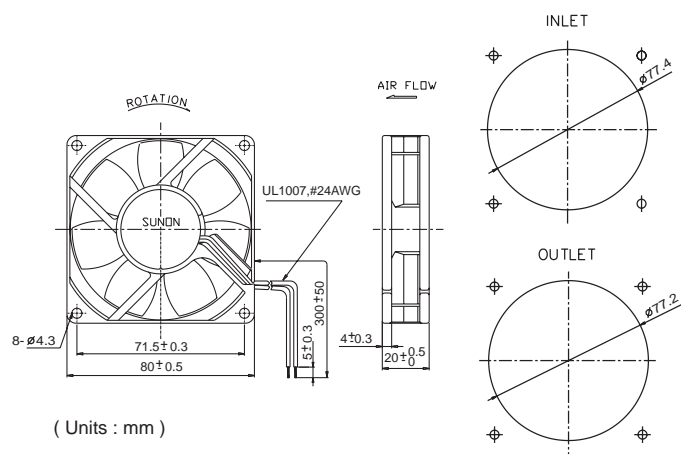
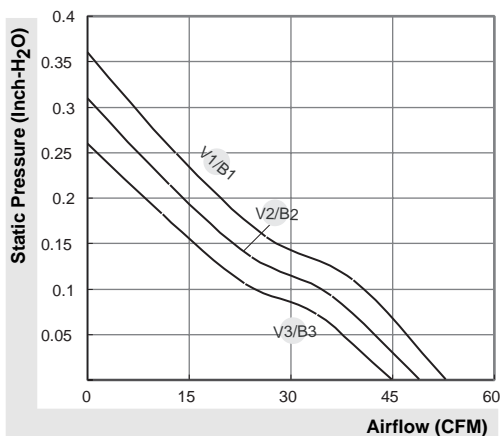


MagLev Power Motor Fan

45~53 CFM



Model	P/N	Bearing ● VAPO ⊕ 2BALL	Rating Voltage (VDC)	Power Current (AMP)	Power Consumption (WATTS)	Speed (RPM)	Air Flow (CFM)	Static Pressure (Inch-H ₂ O)	Noise (dBA)	Weight (g)
PMD1208PKV1-A	GN	●	12	0.39	4.7	4600	53	0.36	48	85
PMD1208PKV2-A	GN	●	12	0.31	3.7	4200	49	0.31	45	85
PMD1208PKV3-A	GN	●	12	0.26	3.1	3900	45	0.26	43	85
PMD1208PKB1-A	(2).GN	⊕	12	0.39	4.7	4600	53	0.36	49	85
PMD1208PKB2-A	(2).GN	⊕	12	0.31	3.7	4200	49	0.31	46	85
PMD1208PKB3-A	(2).GN	⊕	12	0.26	3.1	3900	45	0.26	44	85
PMD2408PKV1-A	GN	●	24	0.21	5.0	4600	53	0.36	48	85
PMD2408PKV2-A	GN	●	24	0.17	4.1	4200	49	0.31	45	85
PMD2408PKV3-A	GN	●	24	0.14	3.4	3900	45	0.26	43	85
PMD2408PKB1-A	(2).GN	⊕	24	0.21	5.0	4600	53	0.36	49	85
PMD2408PKB2-A	(2).GN	⊕	24	0.17	4.1	4200	49	0.31	46	85
PMD2408PKB3-A	(2).GN	⊕	24	0.14	3.4	3900	45	0.26	44	85



*All model could be customized on voltage or any other requirements to fit your need.

*Specifications subject to change without notice. Please Visit SUNON web site at <http://www.sunon.com> for update information.