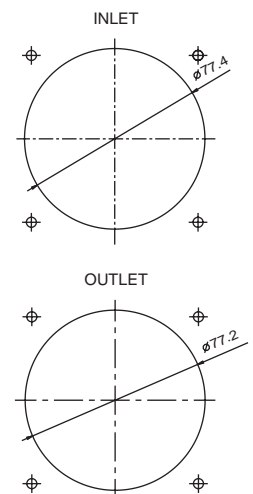
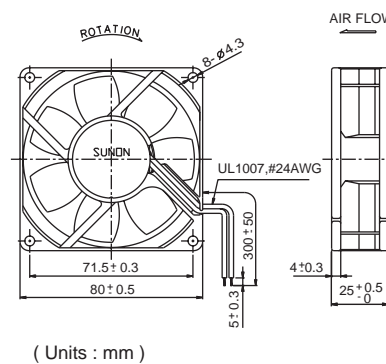
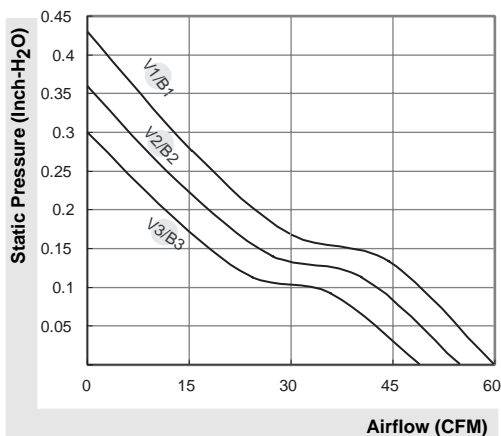


MagLev Power Motor Fan

49~60 CFM



Model	P/N	Bearing ● VAPO ⊕ 2BALL	Rating Voltage (VDC)	Power Current (AMP)	Power Consumption (WATTS)	Speed (RPM)	Air Flow (CFM)	Static Pressure (Inch-H ₂ O)	Noise (dBA)	Weight (g)
PMD1208PTV1-A	GN	●	12	0.42	5.0	4700	60	0.43	46.0	100
PMD1208PTV2-A	GN	●	12	0.34	4.1	4300	55	0.36	44.0	100
PMD1208PTV3-A	GN	●	12	0.27	3.2	3900	49	0.30	41.0	100
PMD1208PTB1-A	(2).GN	⊕	12	0.40	4.8	4700	60	0.43	47.0	100
PMD1208PTB2-A	(2).GN	⊕	12	0.34	4.1	4300	55	0.36	45.0	100
PMD1208PTB3-A	(2).GN	⊕	12	0.26	3.1	3900	49	0.30	42.0	100
PMD2408PTV1-A	GN	●	24	0.22	5.3	4700	60	0.43	46.0	100
PMD2408PTV2-A	GN	●	24	0.17	4.1	4300	55	0.36	44.0	100
PMD2408PTV3-A	GN	●	24	0.14	3.4	3900	49	0.30	41.0	100
PMD2408PTB1-A	(2).GN	⊕	24	0.21	5.0	4700	60	0.43	47.0	100
PMD2408PTB2-A	(2).GN	⊕	24	0.17	4.1	4300	55	0.36	45.0	100
PMD2408PTB3-A	(2).GN	⊕	24	0.13	3.1	3900	49	0.30	42.0	100
PMD4808PTB1-A	(2).GN	⊕	48	0.13	6.2	4700	60	0.43	47.0	100



*All model could be customized on voltage or any other requirements to fit your need.

*Specifications subject to change without notice. Please Visit SUNON web site at <http://www.sunon.com> for update information.