

# 92x92x38 mm

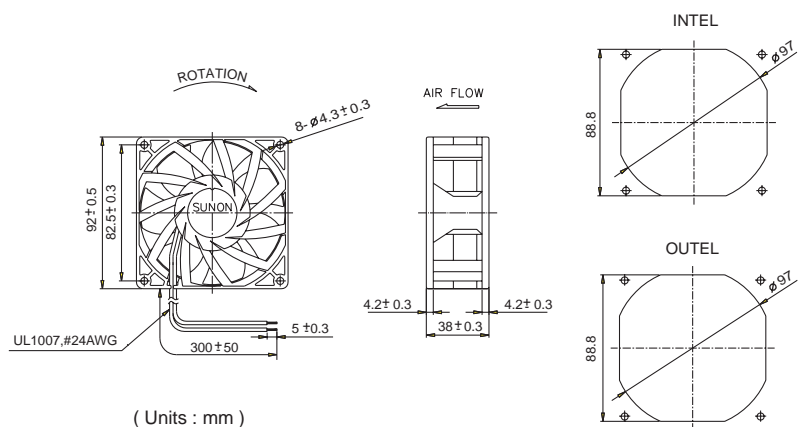
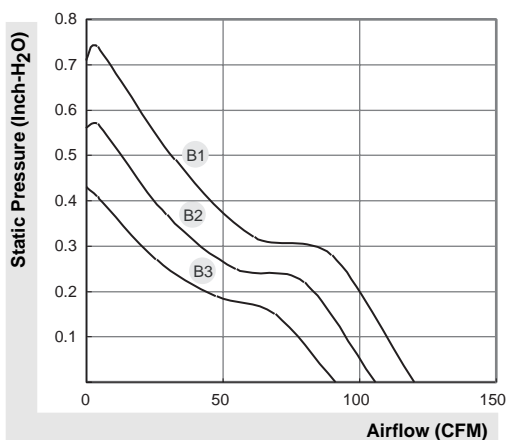
# SUNON

## Power Motor Fan

## 91.7~120.2 CFM



Model	P/N	Bearing	Rating Voltage (VDC)	Power Current (AMP)	Power Consumption (WATTS)	Speed (RPM)	Air Flow (CFM)	Static Pressure (Inch-H <sub>2</sub> O)	Noise (dBA)	Weight (g)
PMD1209PMB1-A	(2).GN	● VAPO	12	1.04	12.5	4900	120.2	0.71	57.6	190
PMD1209PMB2-A	(2).GN	● VAPO	12	0.71	8.5	4400	106.3	0.56	53.8	190
PMD1209PMB3-A	(2).GN	● VAPO	12	0.47	5.6	3800	91.7	0.43	50.3	190
PMD2409PMB1-A	(2).GN	● VAPO	24	0.51	12.2	4900	120.2	0.71	57.6	190
PMD2409PMB2-A	(2).GN	● VAPO	24	0.40	9.6	4400	106.3	0.56	53.8	190
PMD2409PMB3-A	(2).GN	● VAPO	24	0.25	6.0	3800	91.7	0.43	50.3	190
PMD4809PMB1-A	(2).GN	● VAPO	48	0.24	11.5	4900	120.2	0.71	57.6	190



\*All model could be customized on voltage or any other requirements to fit your need.

\*Specifications subject to change without notice. Please Visit SUNON web site at <http://www.sunon.com> for update information.