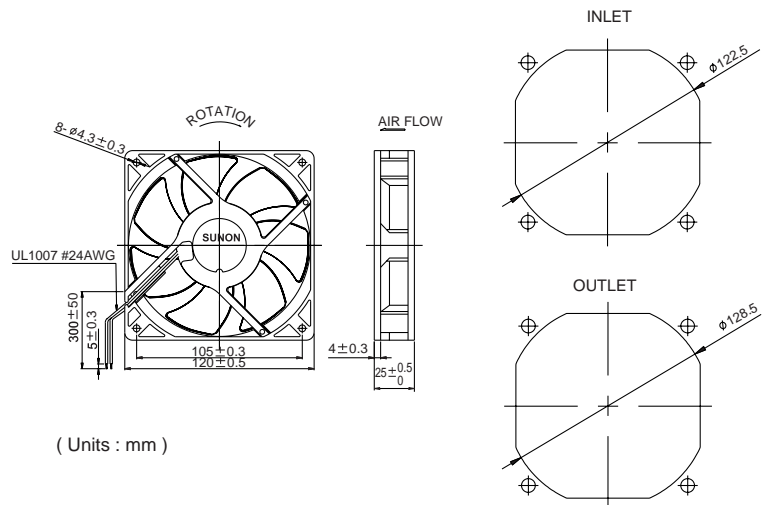
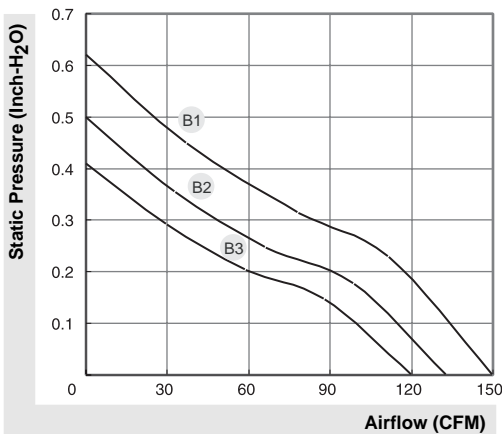


Power Motor Fan

120~150 CFM



Model	P/N	Bearing ● VAPO ⊕ 2BALL	Rating Voltage (VDC)	Power Current (AMP)	Power Consumption (WATTS)	Speed (RPM)	Air Flow (CFM)	Static Pressure (Inch-H ₂ O)	Noise (dBA)	Weight (g)
PMD1212PTB1-A	(2).GN	⊕	12	0.97	11.6	4500	150	0.62	54	220
PMD1212PTB2-A	(2).GN	⊕	12	0.70	8.4	4000	133	0.50	51	220
PMD1212PTB3-A	(2).GN	⊕	12	0.52	6.2	3600	120	0.41	48	220
PMD2412PTB1-A	(2).GN	⊕	24	0.47	11.3	4500	150	0.62	54	220
PMD2412PTB2-A	(2).GN	⊕	24	0.35	8.4	4000	133	0.50	51	220
PMD2412PTB3-A	(2).GN	⊕	24	0.27	6.5	3600	120	0.41	48	220
PMD4812PTB1-A	(2).GN	⊕	48	0.25	12.0	4500	150	0.62	54	220



*All model could be customized on voltage or any other requirements to fit your need.

*Specifications subject to change without notice. Please Visit SUNON web site at <http://www.sunon.com> for update information.