

120x120x38 mm

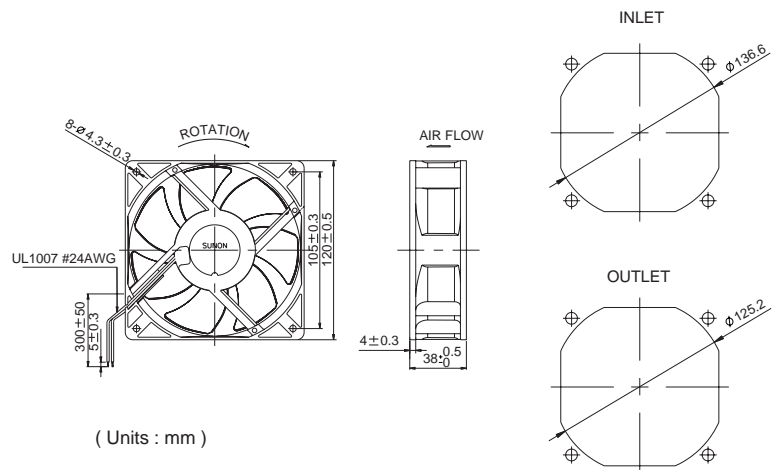
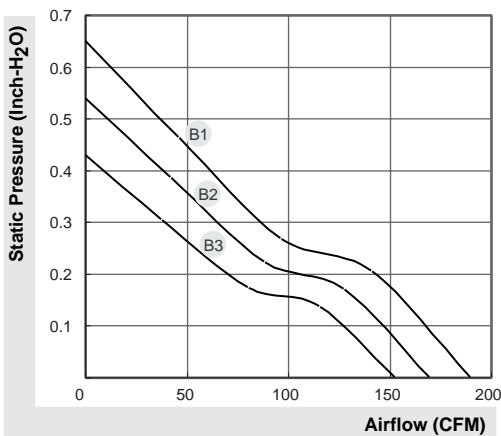
SUNON

Power Motor Fan

153~190 CFM



Model	P/N	Bearing ● VAPO ⊕ 2BALL	Rating Voltage (VDC)	Power Current (AMP)	Power Consumption (WATTS)	Speed (RPM)	Air Flow (CFM)	Static Pressure (Inch-H ₂ O)	Noise (dBA)	Weight (g)
PMD1212PMB1-A	(2).GN	⊕	12	1.6	19.2	4200	190	0.65	54	330
PMD1212PMB2-A	(2).GN	⊕	12	1.2	14.4	3800	170	0.54	51	330
PMD1212PMB3-A	(2).GN	⊕	12	0.83	10.0	3400	153	0.43	48	330
PMD2412PMB1-A	(2).GN	⊕	24	0.76	18.2	4200	190	0.65	54	330
PMD2412PMB2-A	(2).GN	⊕	24	0.57	13.7	3800	170	0.54	51	330
PMD2412PMB3-A	(2).GN	⊕	24	0.42	10.1	3400	153	0.43	48	330
PMD4812PMB1-A	(2).GN	⊕	48	0.38	18.2	4200	190	0.65	54	330



*All model could be customized on voltage or any other requirements to fit your need.

*Specifications subject to change without notice. Please Visit SUNON web site at <http://www.sunon.com> for update information.